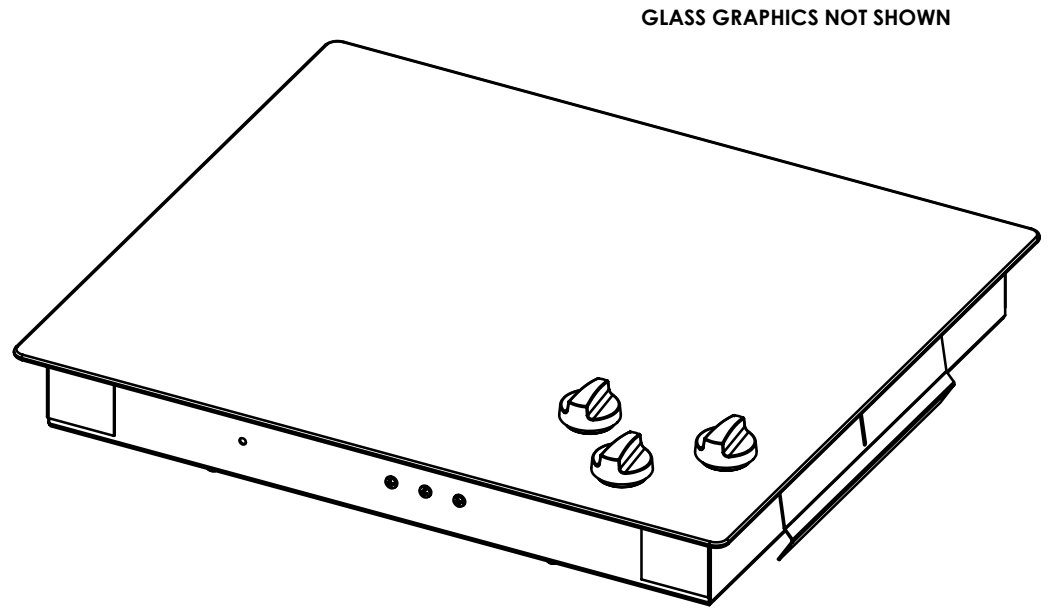
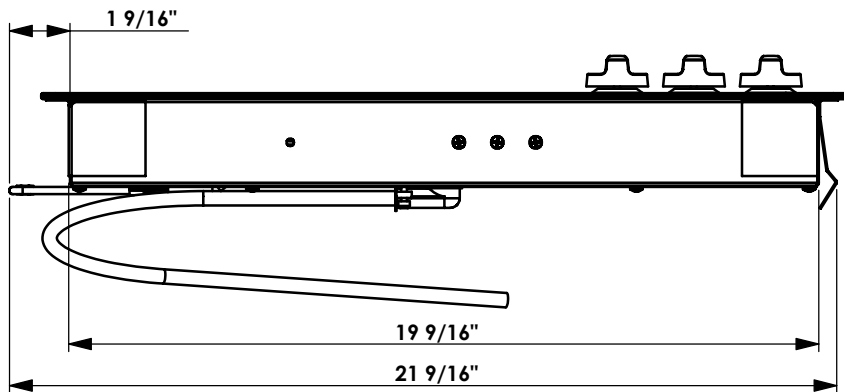
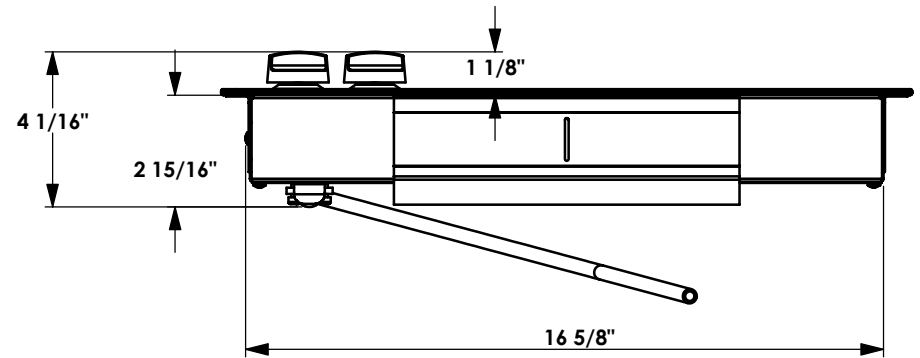


DIMS TO CLOSEST 1/16"



Model 75320 - 120Vac, 3600W, 30A

Model 75322 - 240Vac, 3600W, 15A



REV.	ECN.	DESCRIPTION	DATE	BY
1	809	AS BUILT	18/09/06	PH

PROPRIETARY AND CONFIDENTIAL  
 THE INFORMATION CONTAINED IN THIS  
 DRAWING IS THE SOLE PROPERTY OF  
 FORCE 10 MFG CORP. ANY  
 REPRODUCTION IN PART OR AS A WHOLE  
 WITHOUT THE WRITTEN PERMISSION OF  
 FORCE 10 MFG CORP IS  
 PROHIBITED.

△ INDICATES A CRITICAL DIMENSION  
 TYPICAL BEND RADIUS = 0.040  
 MATERIAL THICKNESS =  
 OUTSIDE BEND DEDUCTION =  
 DIMENSIONS ARE IN INCHES  
 TOLERANCES:  
 FRACTIONAL ±1/16  
 ANGULAR: MACH ±0.5 BEND ±0.5  
 TWO PLACE DECIMAL ±0.050  
 THREE PLACE DECIMAL ±0.005  
 DO NOT SCALE DRAWING



NOTES:  
 1. REMOVE ALL BURRS  
 2. BREAK SHARP EDGES 0.005 - 0.015  
 3. UNLESS OTHERWISE SPECIFIED, MACHINED CORNERS TO HAVE 0.005 - 0.015 FILLET RADII

<b>COOKTOP-CERAN ELECTRIC 3S LAYOUT</b>		REV. 1
DWG. NO.	<b>75320 - 75322</b>	
MATL:	-	
GA:	#	
		SHEET 1 OF 1