

| | |
|---|--|
| Heat Output: | 50,000 btu |
| Fuel Consumption: | .4 gal/hr (1.5 l/hr) |
| Voltage: | 12 or 24 volt DC available |
| Power Consumption (12v): Full: | 7.1 amps |
| Coolant Operating Temperature: Opens at: Closes at: | 158° F (70° C) ± 6° F 140° F (60° C) ± 9° F |
| Dimensions: | L 23" x W 8.1" x H 9" (584mm x 205mm x 228mm) |
| Weight: | 33 lbs (15 kg) |



The **DBW 2010S** hydronic heater offered by Webasto will heat up to a 52 foot sailboat or a 50 foot powerboat. The **DBW 2010S** utilizes 1" Wirsbo tubing to deliver heated coolant to dual 3/4" fan heater zones throughout the boat. The **DBW 2010S** uses a 1-1/2" rigid exhaust system and a 1/4" supply/return fuel system. The **DBW 2010S** is available in 12 or 24 volts.

The **SMS** installation kit features:

- o **Premium Heat Exchanger**

- o Threaded Coolant Fittings, Union Valves for easy Wirsbo Plumbing, O/H Fuse, Reset Limiter, & Ellwood Aquastat

- o **Insulated Buffer Tank**

- o **Surewire Water**

The Surewire Water board puts all electrical connections into one place making installation and troubleshooting of your heater easier than ever before. The Surewire Water is for all Webasto Water heaters. Features include:

- o Ready for hassle free **thermostat** wiring
Up to **four zones!**
- o Domestic water heater control wiring
- o Easy to add **engine heat** control
- o **Hour meter** to track run time of the heater
- o Comes with **protective stainless enclosure box**
- o **Breaker protection** of heater in one convenient place
- o **Ground Bar** for cleaner wiring

- o **Marine Installation Manual**

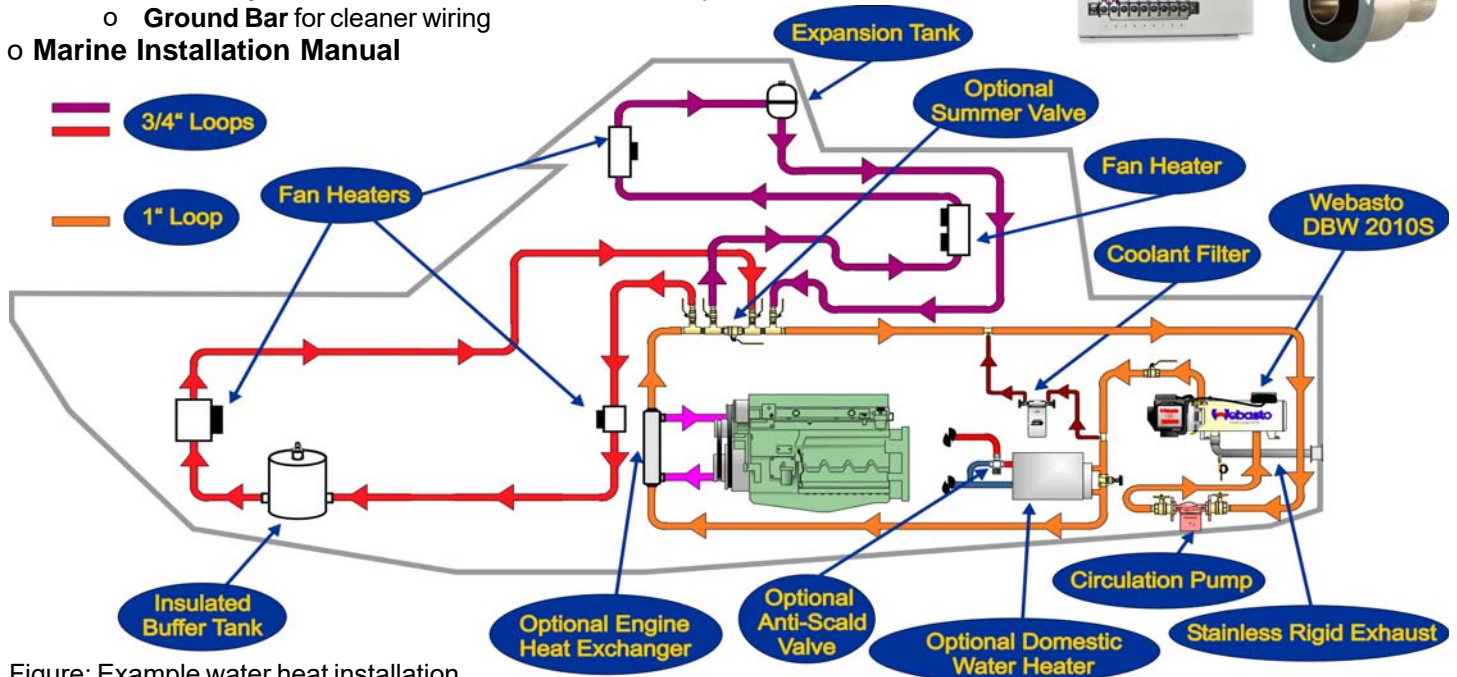


Figure: Example water heat installation.
See manual for installation guidelines.

Marine Heating Price List

DBW 2010S

**Webasto Model DBW 2010S 50,000 BTU Heater Kit
Deluxe Boat Hydronic Heater Installation Kit with SureWire**



| Part # | Item Description | Quantity | Price Per | Price Total |
|-------------------------------|--|-----------|------------|-------------|
| Heater Equipment | | | | |
| DBW2010S-SW12 | SMS SPECIAL Webasto Diesel Hot Water Heater 50,000 Btu 12v Includes: Premium Heat Exchanger, Surewire Board, Enclosure w/Ground Bar, (2) Union Valve #40434, O/H Fuse, Reset Limiter, Ellwood Aquastat, Marine Installation Manual | 1 each | \$3,711.57 | \$3,711.57 |
| Mounting Equipment | | | | |
| W005-220 | Aluminum Side Wall Mount Bracket | 1 each | \$98.25 | \$98.25 |
| W600-014K | 8MM Rubber Shock Mount Kit | 1 each | \$49.61 | \$49.61 |
| Electrical Equipment | | | | |
| SC1600L-Black | Digital Room Thermostat | 3 each | \$61.85 | \$185.55 |
| W005-370K-12-BLK | VIMAR On/off Switch Kit | 1 each | \$39.95 | \$39.95 |
| 75135K-30 | Main Power Breaker Kit | 1 each | \$16.73 | \$16.73 |
| W005-212-WB | 3/4" Wirsbo Inline Fan Aquastat | 1 each | \$61.81 | \$61.81 |
| B7W10T-20-25FT | 10-2 Power Supply Tinned Boat Cable | 1 spool | \$32.50 | \$32.50 |
| B7W16T-20-100FT | 16-2 Fan Heater Power Supply Tinned Boat Cable | 2 spool | \$42.50 | \$85.00 |
| B7W16T-30-100FT | 16-3 Room Thermostat Power Supply Tinned Boat Cable | 1 spool | \$56.40 | \$56.40 |
| Exhaust Equipment | | | | |
| W002-109 | 1-1/2" S/S 316 Grade Thru Hull FTG W/GSKTS | 1 each | \$166.63 | \$166.63 |
| W005-110 | 1-1/2" S/S 316 Grade Long 90 Exhaust ELL W/Drain | 1 each | \$132.89 | \$132.89 |
| W001-214 | 1-1/2" S/S 316 Grade Rigid Exhaust Tube / Foot | 4 feet | \$19.59 | \$78.36 |
| W002-780 | 1-1/2" S/S Exhaust Clamps | 3 each | \$14.63 | \$43.89 |
| W001-441B-5FT | Exhaust Insulation Blanket Pad | 1 pad | \$269.26 | \$269.26 |
| 45050 | High Temperature Exhaust Cement | 1 pint | \$17.31 | \$17.31 |
| Fuel Equipment | | | | |
| W11BVRK | Garber Fuel Filter With Mount Bracket, Valve & Fittings | 1 each | \$91.47 | \$91.47 |
| 001-449 | 1/4" A-1 Fuel Rated Hose | 20 feet | \$2.51 | \$50.20 |
| W005-913-KIT | 1/4" S/S Fuel Pickup Tube with Return 33" w/Weldless Bushing Kit | 1 each | \$120.33 | \$120.33 |
| Water System Equipment | | | | |
| UPS15-58FCKIT-NF | 120 VAC 15 GPM Circulation Pump w/Brkt & Valves | 1 each | \$324.86 | \$324.86 |
| W003-100-12 | AC Pump Interlock Box | 1 each | \$253.12 | \$253.12 |
| LF4521010 | Uponor (Wirsbo) 1" NPT x 1" Adapter | 2 each | \$23.31 | \$46.62 |
| WSMS-2LOOPK-WB | 2 Loop Manifold Kit 1" Wirsbo to (2x) 3/4" Wirsbo | 2 each | \$118.68 | \$237.36 |
| WSMS-0092010-WB | Water Conditioner Kit | 1 each | \$259.80 | \$259.80 |
| W002-105AB-WB | SMS 5 Gallon Aluminum Buffer Tank Kit | 1 each | \$304.36 | \$304.36 |
| W002-103A-WB | SMS 2-1/2 Gallon Aluminum Expansion Tank Kit | 1 each | \$368.57 | \$368.57 |
| WA1250750FT | 3/4" Uponor (Wirsbo) hePEX Tubing White / Foot | 100 feet | \$2.02 | \$202.00 |
| WA11410000FT | 1" Uponor (Wirsbo) hePEX Tubing White / Foot | 20 feet | \$3.54 | \$70.80 |
| Q4690756 | 3/4" ProPex Expander Ring with Stop by Uponor (Wirsbo) | 22 each | \$0.67 | \$14.74 |
| Q4691000 | 1" ProPex Expander Ring with Stop by Uponor (Wirsbo) | 4 each | \$1.26 | \$5.04 |
| 001-394K-WB | Drain Valve Kit | 1 each | \$63.70 | \$63.70 |
| AS05 | FasSeal-ATS Anaerobic Thread Sealant with PTFE | 1 each | \$28.69 | \$28.69 |
| 001-840 | Sta/Clean Antifreeze / Gallon | 4 gallons | \$23.94 | \$95.76 |
| Fan Heater Equipment | | | | |
| RL6424-12-WB | REAL Dual 4" Outlet Salon Fan Heater | 1 each | \$434.30 | \$434.30 |
| RL6414-12-WB | REAL Single 4" Outlet Master Stateroom Fan Heater | 1 each | \$401.48 | \$401.48 |
| RL6214-12-WB | REAL Single 4" Outlet Stateroom Fan Heater | 1 each | \$353.02 | \$353.02 |
| RL6013-12-WB | REAL Single 3" Outlet Head Fan Heater | 1 each | \$284.21 | \$284.21 |
| W002-913.36-Sq | Fan Heater Two Speed Switch & Plate .36 amp | 2 each | \$48.56 | \$97.12 |
| W002-913.70-Sq | Fan Heater Two Speed Switch & Plate .70 amp | 2 each | \$50.08 | \$100.16 |

Aug-20

Retail Price FOB Seattle

Price subject to change without notice

\$9,253.42

This is a generic kit that contains most parts that are likely needed for installation but, as with all Sure Marine Service kits, parts may be added or subtracted to suit your particular installation requirements.

Please note, the prices listed are in U.S. Dollars.



Sure Marine Service
 5320 28th Ave. N.W.
 Seattle, WA 98107
 (800)562-7797 (206)784-9903
 Shop Online: www.suremarineservice.com

