

Heat Output:	80,000 btu (2020) - 104,000 btu (300)
Fuel Consumption:	.8 gal/hr (2020) - 1.2 gal/hr (300)
Voltage:	12 volt DC
Power Consumption (12v): Full:	10 amps (2020) - 10.8 amps (300)
Coolant Operating Temperature: Opens at: Closes at:	167° F (75° C) ± 6° F 154° F (68° C) ± 9° F
Dimensions:	L 26.7" x W 9.5" x H 11" (680mm x 240mm x 279mm)
Weight:	48.5 lbs (22 kg)



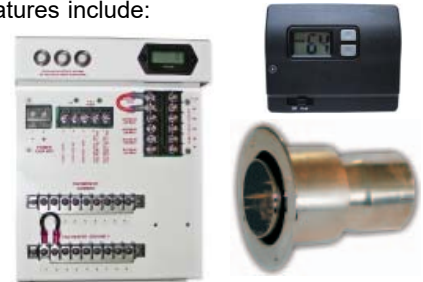
The **DBW 2020/230** 80,000 btu hydronic heater offered by Webasto will heat up to a 58 foot sailboat or a 56 foot powerboat. The **DBW 300** 105,000 btu hydronic heater is the largest Webasto hydronic heater and will heat up to a 65 foot sailboat or a 62 foot powerboat. Both systems utilize 1-1/2" water hose to deliver heated coolant to 3/4" zones of fan heaters throughout the boat. Both systems use a 2-3/4" rigid exhaust system, and a 1/4" supply and return fuel system. The **DBW 2020/230/300** is available in 12 volts.

The **SMS** installation kit features:

o Surewire Water

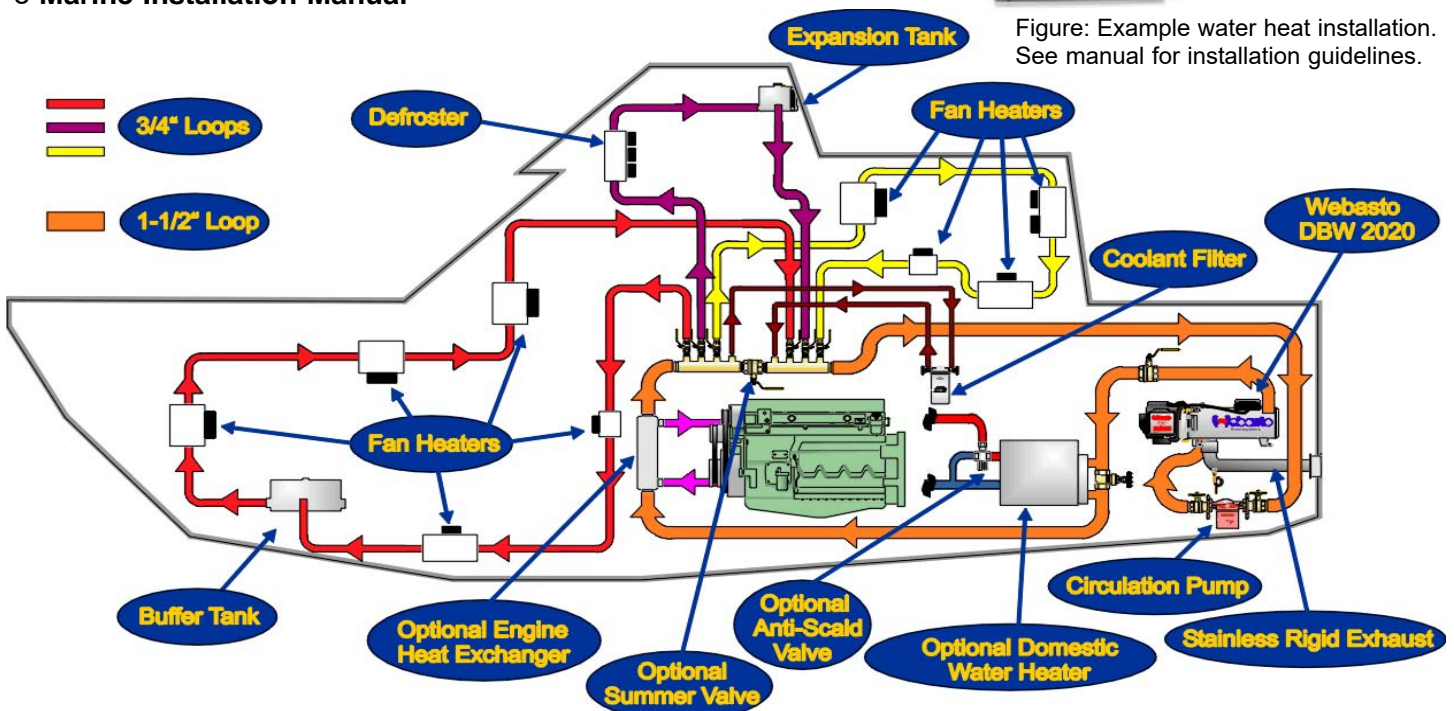
The Surewire Water board puts all electrical connections into one place making installation and troubleshooting of your heater easier than ever before. The Surewire Water is for all Webasto Water heaters. Features include:

- o Ready for hassle free **thermostat** wiring
Up to **four zones!**
- o Domestic water heater control wiring
- o Easy to add **engine heat** control
- o **Hour meter** to track run time of the heater
- o Comes with **protective cover** and backing plate
- o **Breaker protection** of heater in one convenient place



o Marine Installation Manual

Figure: Example water heat installation. See manual for installation guidelines.



Marine Heating Price List

DBW 2020

**Webasto Model DBW 2020/230/300 80,000/104,000 BTU Heater Kit
Basic Boat Hydronic Heater Installation Kit with SureWire**



Part #	Item Description	Quantity	Price Per	Price Total
Heater Equipment				
DBW2020/300SW-12	Webasto Diesel Hydronic Heater 12v Marine Installation Manual Surewire Kit	1 each	\$5,004.23	\$5,004.23
Mounting Equipment				
W005-131	Aluminum Side Wall Mount Bracket	1 each	\$411.00	\$411.00
W600-015K	8MM Heavy Duty Rubber Shock Mount Kit	1 each	\$61.99	\$61.99
Electrical Equipment				
SC1600L-Black	Digital Room Thermostat	4 each	\$123.39	\$493.56
W005-370K-12-BLK	VIMAR On/off Switch Kit	1 each	\$45.22	\$45.22
75135K-30	Main Power Breaker Kit	1 each	\$19.83	\$19.83
W005-213-KIT	3/4" Inline Fan Aquastat	1 each	\$33.95	\$33.95
B7W10T-20-25FT	10-2 Power Supply Tinned Boat Cable	1 spool	\$32.50	\$32.50
B7W16T-20-100FT	16-2 Fan Heater & Room Thermostat Power Supply Tinned Boat Cabl	4 spool	\$52.00	\$208.00
B7W16T-30-100FT	16-3 Master Thermostat Power Supply Tinned Boat Cable	1 spool	\$84.00	\$84.00
Exhaust Equipment				
W002-124	2-3/4" S/S 316 Grade S/S Thru Hull FTG W/GSKTS	1 each	\$379.38	\$379.38
W002-130	2-3/4" S/S 316 Grade Short 90 Exhaust ELL W/Drain	1 each	\$214.91	\$214.91
W001-034	2-3/4" S/S 316 Grade Rigid Exhaust Tube / Foot	4 feet	\$61.56	\$246.24
W002-663	2-3/4" S/S Exhaust Clamp	3 each	\$21.26	\$63.78
W001-886-2FT	Exhaust Insulation Blanket Pad	1 pad	\$140.79	\$140.79
W001-886-3FT	Exhaust Insulation Blanket Pad	1 pad	\$211.25	\$211.25
PERM-80335	Permatex Muffler and Tailpipe Sealer	1 tube	\$6.42	\$6.42
Fuel Equipment				
W11BVRK	Garber Fuel Filter w/Mount Bracket, Valve, Gauge & Fittings	1 each	\$134.52	\$134.52
001-449	1/4" A-1 Fuel Rated Hose	40 feet	\$3.12	\$124.80
W005-913-KIT	1/4" S/S Fuel Pickup Tube with Return 33" w/Weldless Bushing Kit	1 each	\$170.05	\$170.05
Water System Equipment				
UPS26-99FCKIT-HB	120 VAC Circulation Pump w/Brkt & Valves - 29 gpm @ 5ft head	1 each	\$1,259.17	\$1,259.17
W003-100-12	AC Pump Interlock Box	1 each	\$342.08	\$342.08
WSMS-0092020-HB	Water Conditioner Kit	1 each	\$310.89	\$310.89
WSH4TK-HB	Brass Multi-Zone Manifold Kit / Each	2 each	\$582.14	\$1,164.28
W002-105AB-HB	SMS 5 Gallon Aluminum Buffer Tank	1 each	\$333.22	\$333.22
W002-105A-HB	SMS 5 Gallon Aluminum Expansion Tank	1 each	\$496.78	\$496.78
001-395	Plastic Overflow Tank Kit for Hydronic System	1 each	\$26.34	\$26.34
001-453-100	3/4" Webasto System Hose - 100 Foot Box	2 each	\$582.40	\$1,164.80
001-459	1-1/2" Webasto System Hose / Foot	20 feet	\$15.10	\$302.00
001-394K-HB	Drain Valve Kit	1 each	\$56.44	\$56.44
6712M51	#12 S/S Hose Clamps	32 each	\$3.24	\$103.68
CLA-024	#24 S/S Hose Clamps	6 each	\$1.76	\$10.56
PERM-80019	Permatex Form-A -Gasket #3, 4oz Tube	1 tube	\$10.17	\$10.17
AS05	FasSeal-ATS Anaerobic Thread Sealant with PTFE	1 each	\$45.05	\$45.05
001-840	Sta/Clean Antifreeze / Gallon	6 gallons	\$45.96	\$275.76
Fan Heater Equipment				
RL5433-12-HB	REAL Triple 3" Outlet Defroster	1 each	\$774.84	\$774.84
RL6424-12-HB	REAL Dual 4" Outlet Salon Fan Heater	1 each	\$595.27	\$595.27
RL6414-12-HB	REAL Single 4" Outlet Master Stateroom Fan Heater	2 each	\$545.85	\$1,091.70
RL6214-12-HB	REAL Single 4" Outlet Stateroom Fan Heater	4 each	\$458.43	\$1,833.72
RL6013-12-HB	REAL Single 3" Outlet Head Fan Heater	2 each	\$355.70	\$711.40
W002-913.36-Sq	Head Fan Heater Two Speed Switch & Plate .36 amp - HI/OFF/LOW	2 each	\$54.10	\$108.20
W002-914.36-Sq	Fan Heater Two Speed Switch & Plate .36 amp - HI/LOW - No Off	4 each	\$53.73	\$214.92
W002-914.70-Sq	Fan Heater Two Speed Switch & Plate .70 amp - HI/LOW - No Off	3 each	\$56.41	\$169.23

Jul-23

**Retail Price FOB Seattle
Price subject to change without notice**

\$19,486.92

This is a generic kit that contains most parts that are likely needed for installation but, as with all Sure Marine Service kits, parts may be added or subtracted to suit your particular installation requirements.

Please note, the prices listed are in U.S. Dollars.



Sure Marine Service
5320 28th Ave. N.W.
Seattle, WA 98107
(800)562-7797 (206)784-9903
Shop Online: www.suremarineservice.com

