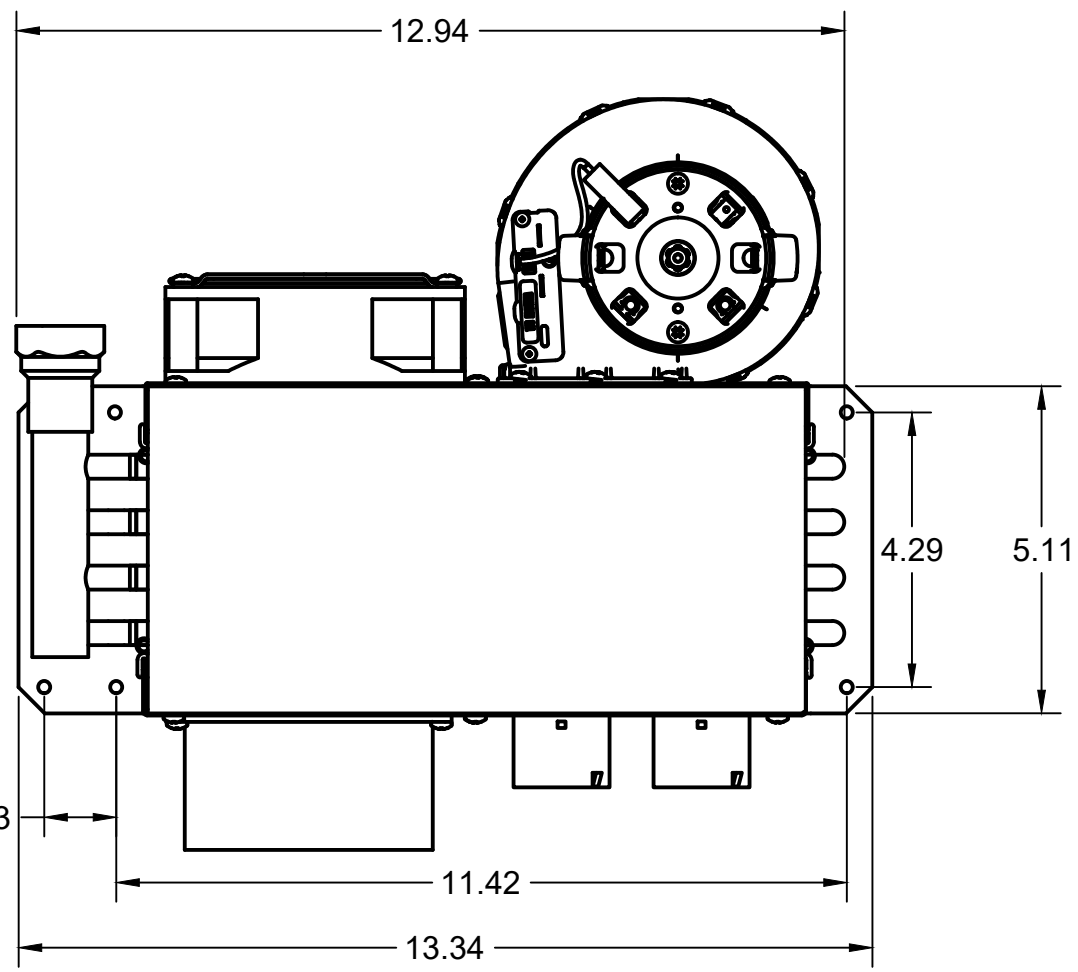
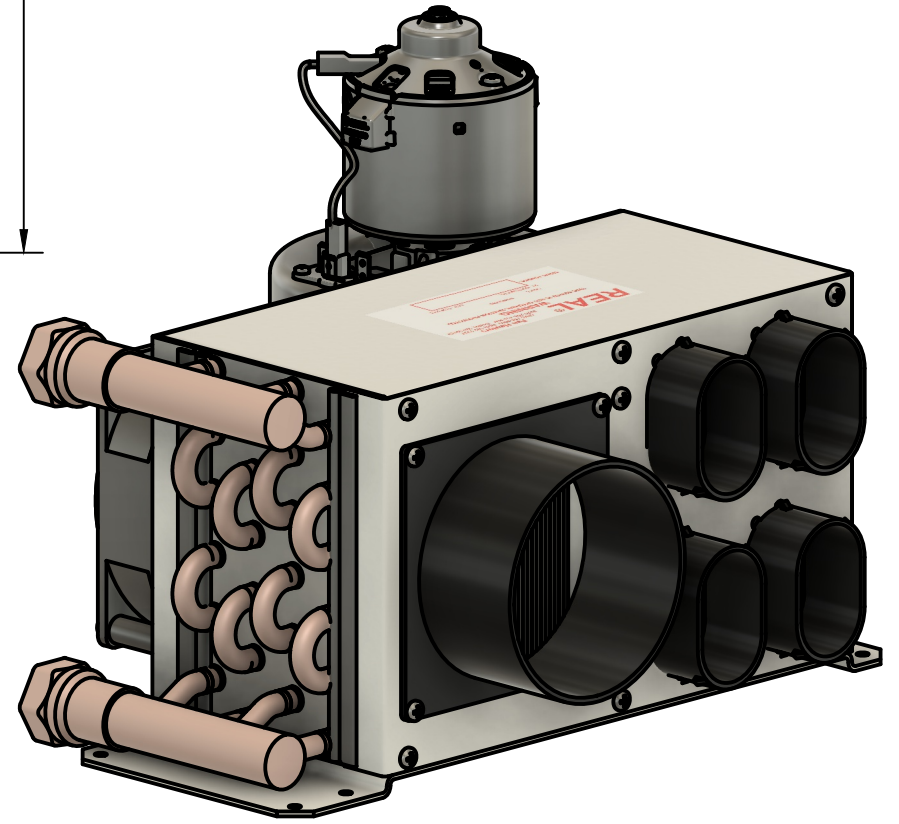
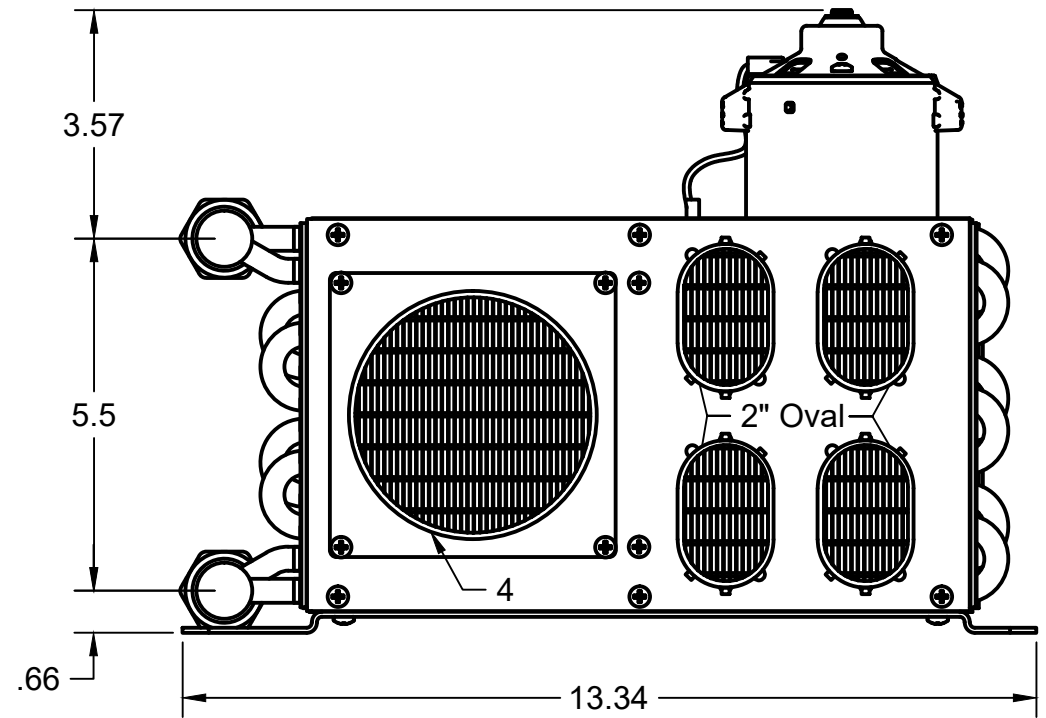
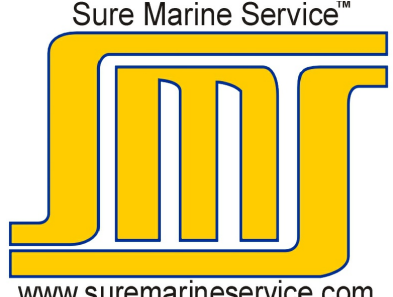


REVISION		
REV.	DATE	APPROVED
1	12/20/2024	DA



 <a href="http://www.suremarineservice.com">www.suremarineservice.com</a>	PROJECT			REV	
	REAL 8400 Series				1
APPROVED		SIZE	CODE	Tolerance	SHEET 1/1
CHECKED		B		± .015	
DRAWN David Anderson 12/20/2024		SCALE 1:3		WEIGHT	
Whilst every attempt has been made to ensure the accuracy of the drawing contained here, measurements are subject to change and no responsibility is taken for any error, omission, or misstatement.					© Sure Marine Service™ Inc.

