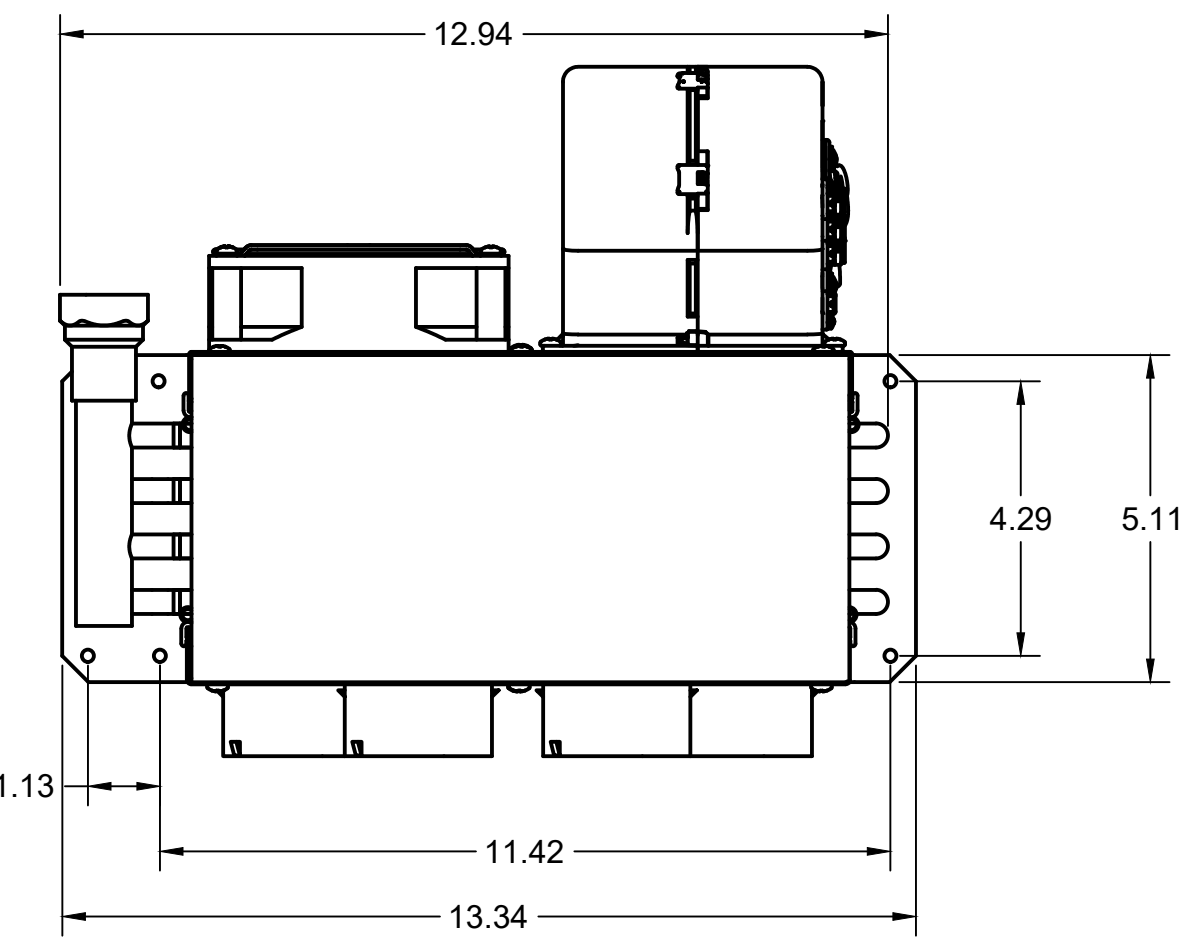
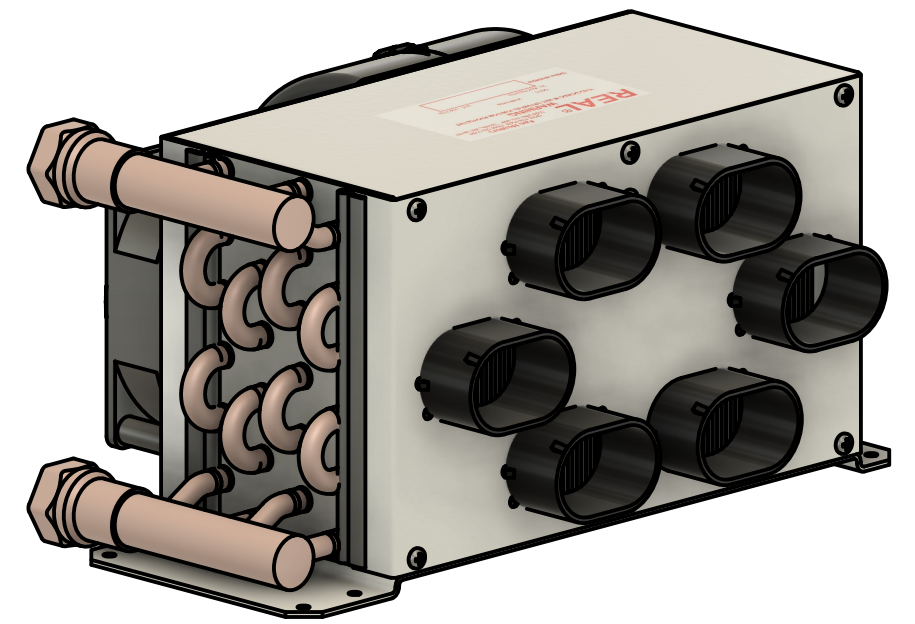
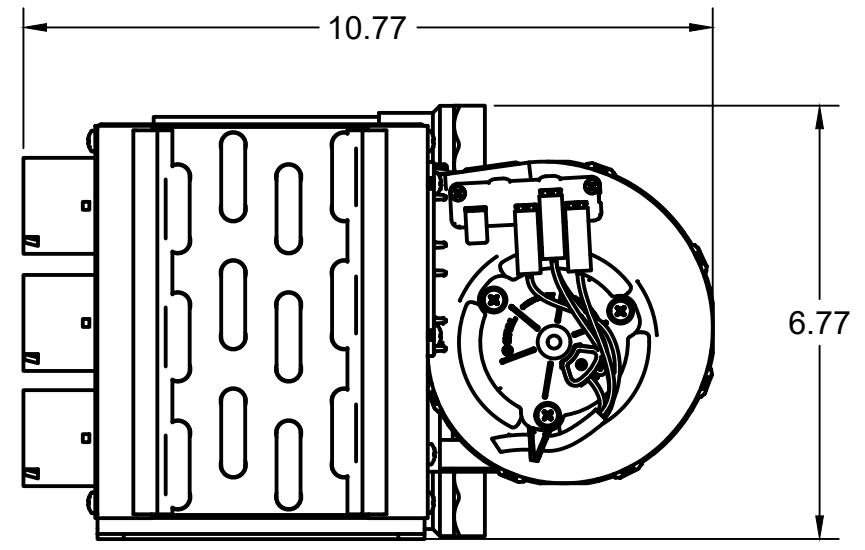
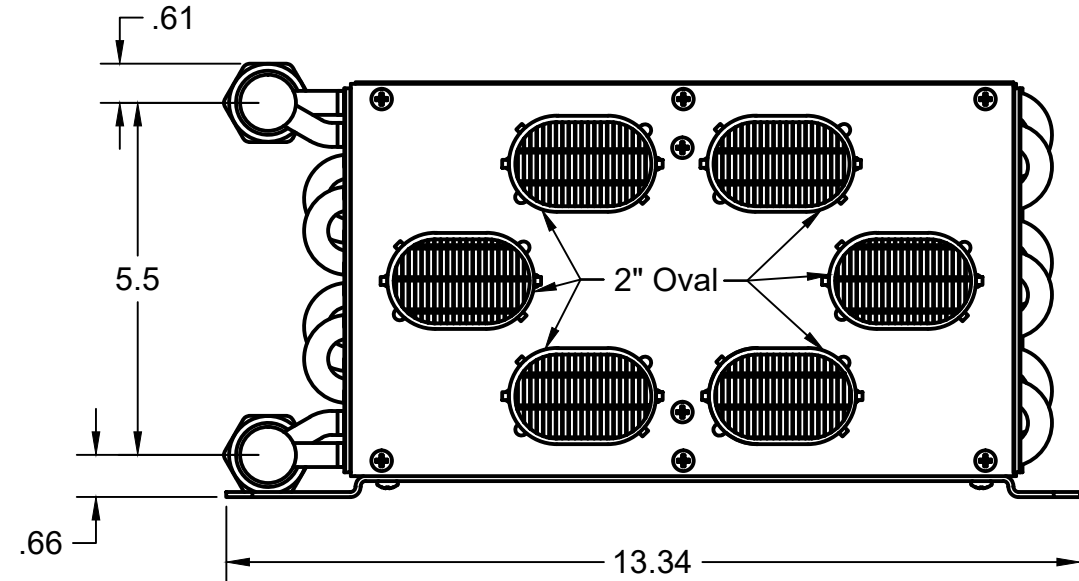
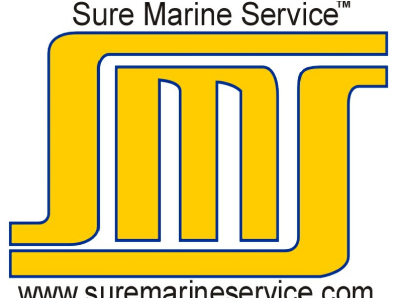




REVISION		
REV.	DATE	APPROVED
1	1/17/2025	DA



 www.suremarineservice.com	PROJECT			REV
	REAL 8400 Series			
APPROVED		SIZE	CODE	Tolerance
CHECKED		B		± .015
DRAWN David Anderson 1/17/2025		SCALE 1:3		WEIGHT
				SHEET 1/1
Whilst every attempt has been made to ensure the accuracy of the drawing contained here, measurements are subject to change and no responsibility is taken for any error, omission, or misstatement.				© Sure Marine Service™ Inc.

