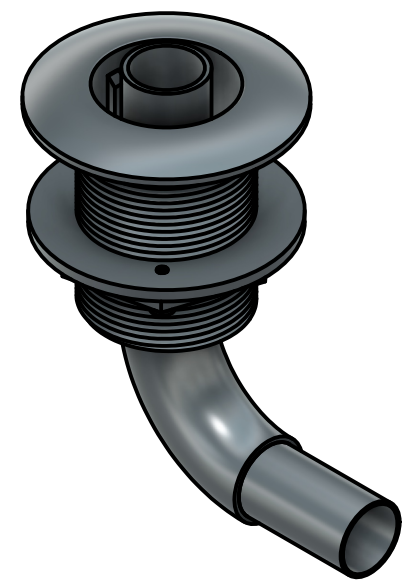
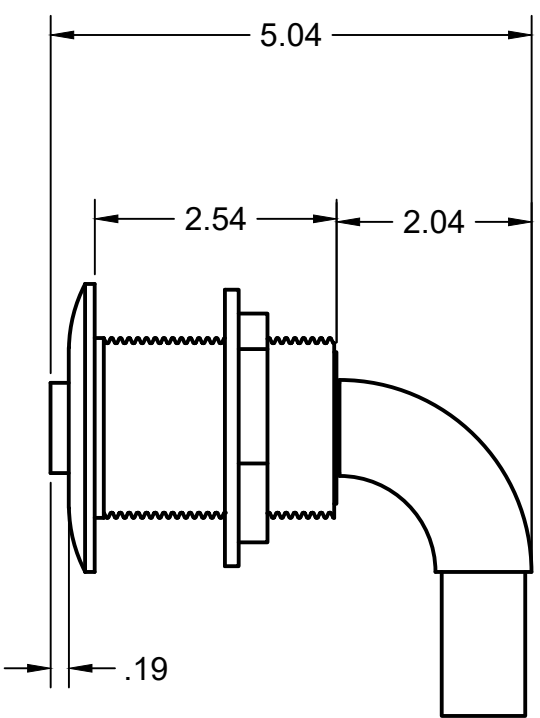
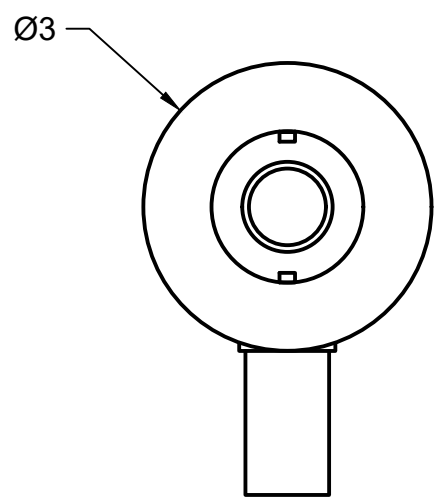
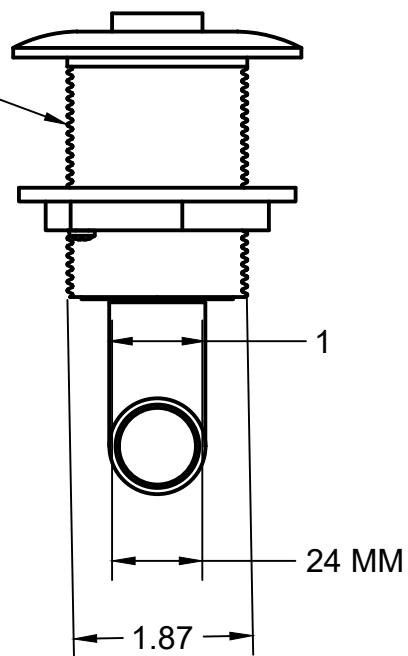
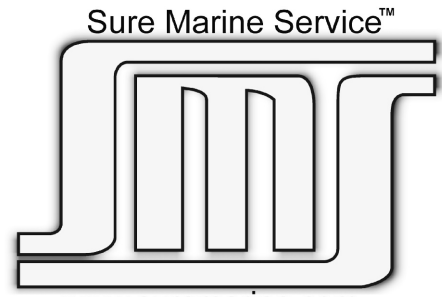


REVISION			
REV.	DESCRIPTION	DATE	APPROVED
	ORIGINAL	11/8/2024	DA



Max Hull Thickness with Gaskets is 1-1/2"



 www.suremarine.com	PROJECT			REV
	Exhaust Fittings TITLE W002-172NUT-Weld90			
APPROVED	SIZE	CODE	Tolerance	SHEET 1/1
CHECKED	B		± .015	
DRAWN David Anderson 11/8/2024		SCALE 1:2	WEIGHT	
Whilst every attempt has been made to ensure the accuracy of the drawing contained here, measurements are subject to change and no responsibility is taken for any error, omission, or misstatement.				© Sure Marine Service™ Inc.

PARTS LIST					
ITEM	QTY	PART NUMBER	PART NAME	DESCRIPTION	MATERIAL
1	1	W002-172NUT-Weld90	W002-172NUT-Weld90	24mm Stainless Horizontal outlet 90 degree exhaust thru hull	STAINLESS STEEL