

## Service Manual

# Thermo Top C/Z

## Water Heaters



**WARNING:** Cancer and Reproductive Harm  
[www.P65Warnings.ca.gov](http://www.P65Warnings.ca.gov)

## List of Contents

<b>1. Introduction</b>	
1.1 Scope and Purpose .....	101
1.2 Meaning of Warnings, Cautions, and Notes .....	101
1.3 Additional Documentation to be used .....	101
1.4 Safety Information and Regulations.....	101
1.4.1 General Safety Notes .....	101
1.5 Legal Provisions for Installation .....	102
1.6 Corrections and Improvements.....	102
<b>2. General Description</b>	
2.1 Combustion Air Fan Assembly .....	202
2.1.1 Combustion Air Fan .....	202
2.2 Burner Housing.....	202
2.3 Burner Insert.....	202
2.4 Control Unit/Heat Exchanger.....	203
2.4.1 Control Unit.....	203
2.4.2 Temperature Sensor.....	203
2.4.3 Overheat Protection.....	203
2.4.4 Heat Exchanger.....	203
2.5 Circulation Pump (Thermo Top C only) .....	203
2.6 Dosing Pump .....	203
<b>3. Functional Description</b>	
3.1 Functional Description Thermo Top Z (Supplementary Heater).....	301
3.1.1 Switch On/Starting.....	301
3.1.2 Heating Operation .....	301
3.1.3 Switch Off/Deactivation .....	301
3.2 Functional Description Thermo Top C (Auxiliary Heater) .....	302
3.2.1 Switch On .....	302
3.2.2 Heating Operation .....	302
3.2.3 Switch Off .....	302
3.2.4 Auxiliary Heater in Supplementary Heater Function.....	303
<b>4. Technical Data</b>	

**5. Troubleshooting**

5.1	General Fault Symptoms .....	501
5.2	Malfunctions.....	502
5.2.1	Error Lockout by Malfunction of Heater .....	502
5.2.2	Error Lockout due to Low or High Voltage.....	502

**6. Functional Checkouts**

6.1	General .....	601
6.2	Functional Tests in the Vehicle .....	601
6.2.1	Heating Operational Test (Thermo Top C) .....	601
6.2.2	Timer functional Test (Thermo Top C).....	602
6.2.3	Telestart T60 Functional Test (Thermo Top C) .....	602
6.3	Repair Shop Level Testing.....	602
6.3.1	Components Testing.....	602

**7. Circuit Diagrams**

7.1	General .....	701
-----	---------------	-----

**8. Servicing**

8.1	General .....	801
8.2	Work on the Heater.....	801
8.3	Work on the Vehicle.....	801
8.4	Heater Test Run.....	801
8.5	Servicing .....	801
8.6	Visual Inspections and Installation Regulations.....	801
8.6.1	Connection to Vehicle Cooling System.....	801
8.6.2	Connection to Vehicle Fuel System.....	803
8.6.3	Exhaust Line .....	804
8.7	Removal and Installation.....	805
8.7.1	Heater, Removal and Installation.....	805
8.7.2	Timer, Removal and Installation .....	806
8.8	Initial Operation.....	806

**9. Repair**

9.1	General .....	901
9.1.1	Work on Components after Disassembly .....	901
9.2	Disassembly and Assembly .....	902
9.2.1	Circulation Pump, Replacement (Thermo Top C) .....	902
9.2.2	Combustion Air Fan, Replacement.....	903
9.2.3	Burner Insert with Glow Plug/Flame Sensor, Replacement .....	905
9.2.4	Control Unit/Heat Exchanger with Burner Housing, Replacement .....	905

**10. Packaging, Storage and Shipping**

10.1	General .....	1001
------	---------------	------

**List of Figures**

501	Fault Symptoms .....	501
701	Automatic Switching Circuit for Thermo Top Z/C, 12 V Timer and Telestart T60 .....	702
801	“Inline” Integration in the Engine Water Cooling Circuit .....	801
802	Example for Heater Installation in Passenger Vehicle .....	802
803	Fuel Supply .....	802
804	Webasto Fuel Tap.....	803
805	Pipe/Hose Connection .....	804
806	Dosing Pump, Installation Position .....	804
807	Exhaust Pipe Outlet, Installation Position .....	805
808	Timer, Removal and Installation .....	806
901	Replacement of Circulation Pump (Thermo Top C).....	902
902	Heater Disassembly.....	904

## 1. Introduction

### 1.1 Scope and Purpose

This repair shop manual is intended to support familiarised personnel in the repair of the water heaters Thermo Top Z and Thermo Top C of the fuel and Diesel types.

As their appearance is identical or similar, the heaters are marked by type on their identification plate with "Benzin" (fuel) or "Diesel". The heaters may only be operated with the specified type of Diesel (or with fuel oil EL) and the appropriate type of electrical installation.

Thermo Top C is a variant of Thermo Top Z with a circulation pump.

### 1.2 Meaning of Warnings, Cautions, and Notes

WARNINGS, CAUTIONS, and NOTES in this manual have the following meaning:

#### WARNING

This heading is used to highlight that non-compliance with instructions or procedures may cause injuries or lethal accidents to personnel.

#### CAUTION

This heading is used to highlight that non-compliance with instructions or procedures may cause damage to equipment.

#### NOTE

This heading is used to highlight and draw specific attention to information.

### 1.3 Additional Documentation to be used

This workshop manual contains all information and procedures necessary for the repair of water heaters Thermo Top Z and Thermo Top C.

The use of additional documentation is normally not necessary.

Operating instructions/installation instructions and the vehicle specific installation proposal may be used as complementary information as necessary.

### 1.4 Safety Information and Regulations

NEVER attempt to install or repair a Webasto heating system unless you have successfully completed Webasto factory training and have the technical skills, technical information, tools and equipment required to properly complete the necessary procedures. Only genuine Webasto parts may be used. Webasto rejects any liability for problems and damage caused by the system being installed by untrained personnel.

Product produces temperatures high enough to ignite surrounding combustible materials such as inflammable liquids, gases, vapor, and other combustible matter. The heater must be switched off when loading or unloading inflammable materials to prevent the risk of explosion.

The general safety regulations for the prevention of accidents and the relevant operating safety instructions have to be observed at all times. "General Safety Regulations" beyond the scope of these regulations are detailed in the following.

The specific safety regulations applicable to this manual are highlighted in the individual chapters by Warnings, Cautions, and Notes.

#### 1.4.1 General Safety Notes

Within the scope of the StVZO (Road Licensing Regulations of the Federal Republic of Germany) "Design General Approvals" laid down by the Federal Office for Motor Traffic exist for the Water Heaters Thermo Top with the following official marks of conformity:

- ~~~ S292 for heater Thermo Top Z/C-B (fuel type)
- and
- ~~~ S289 for heater Thermo Top Z/C-D (Diesel type)

Installation of the heater is to be performed in accordance with the installation instructions and must be checked in case of

- a) the vehicle type inspection in accordance with § 20 StVZO
- b) the individual inspection in accordance with § 21 StVZO or
- c) the examination in accordance with § 19 StVZO performed by an officially authorised expert or examiner for road traffic, a vehicle inspector or a public servant as per section 7.4a of Annex VII to the StVZO.

In the event of c) the installation must be certified on the acceptance certificate included in the copy of the "General Operating License" giving details about

- manufacturer
- type of vehicle and
- vehicle identification number.

This validates the "Design General Approval". The acceptance certificate must be kept with the vehicle.

The heaters are cleared for heating the vehicle engine and the vehicle cabin. When using the heaters in vehicles not subject to the Road Licensing Regulations (StVZO) (e.g. ships), the applicable partially regional regulations must be observed. The use of the heater in "vehicles for the transportation of dangerous goods" is not permitted.

The heater may only be installed in vehicles or independent heating systems with a minimum coolant capacity of 4 liters.

When checking the cooling water level proceed in accordance with the vehicle manufacturer's instructions. The water in the heating circuit of the heater must contain at least 10 % of a quality brand anti-freeze.

The heater must not be installed in the passenger or driver compartments of vehicles.

Webasto heaters must be switched "off" when re-fueling at filling stations and/or while loading or unloading flammable materials for transport, to prevent the risk of explosion. Please review owner's manual for safety and use instructions.

Due to the danger of poisoning and suffocation the heater must not be operated, not even with timer or under remote radio control (Telestart), in enclosed areas such as garages or workshops not equipped with an exhaust venting facility.

In the vicinity of the heater a temperature of 120 °C (storage temperature) must not be exceeded under any circumstances (e.g. during body paint work). Excessive temperatures may cause permanent damage to the electronics.

## 1.5 Legal Provisions for Installation

For testing the heater in accordance with § 19, 20, or 21 of the StVZO the following regulations are to be observed in particular (§ 22 a StVZO):

Testing is performed upon presentation of the operating and installation instructions of the manufacturer. The year of the initial operation must be durably marked on the heater identification plate by the installing person.

Extracting combustion air from the vehicle interior is prohibited.

The exhaust line outlet is to point downwards or to the side, or in case of exhaust venting below the vehicle floor, to be located at the nearest possible location of the vehicle's or cockpit side or rear end.

Exhaust lines must be routed so that exhaust fumes are unlikely to penetrate into the vehicle's interior. The function of any part of the vehicle essential for operation must not be impaired. Accumulations of condensate in the exhaust line must be directly drained. A drain hole may be provided as required.

The openings of the combustion air inlet and the exhaust outlet must not allow a ball of 16 mm in diameter to be inserted.

Electrical lines and switching gear of the heater must be located in the vehicle so that their proper function cannot be impaired under normal operating conditions.

For the routing of fuel lines and the installation of additional fuel tanks §§ 45 and 46 of the StVZO are to be adhered to. The most important regulations are:

- fuel lines are to be designed in such a way that they remain unaffected by torsional stresses in the vehicle, engine movement, and the like. They must be protected against mechanical damage. Fuel-carrying parts are to be protected against excessive heat and are to be arranged so that any dripping or evaporating fuel can neither accumulate nor be ignited by hot components or electrical equipment.
- the heater must not be located in rooms accommodating persons.
- the heater mode of operation - at least "on" or "off" - must be clearly visible.

**The obligation to apply for a new "Operating License" (with expertise) after heater installation does not exist, if the installation meets entirely the requirements of an installation instruction, for which a special supplement exists for the "Design General Approval". The "Design General Approval" and the "Operating License" documentation are to be kept with the vehicle.**

- Non-approved installations will void the heater's marks of conformity and thus the vehicle's permit of operation. The same applies to unskilled repairs or repairs not using original spare parts.

## 1.6 Corrections and Improvements

Deficiencies, improvements, or proposals for correction of this workshop manual are to be mailed to:

Webasto Thermo & Comfort N.A., Inc.  
15083 North Road, Fenton, MI 48430  
USA: (800) 860-7866  
Canada: (800) 667-8900  
www.webasto.us & www.techwebasto.com

**2. General Description**

The water heater Thermo Top Z supplementary heater is intended to compensate for the shortage in heat generated by engines optimised for low fuel consumption.

The water heater Thermo Top C auxiliary heater is used to:

- heat the vehicle cabin,
- defrost the vehicle windscreens,
- preheat water-cooled vehicle engines.

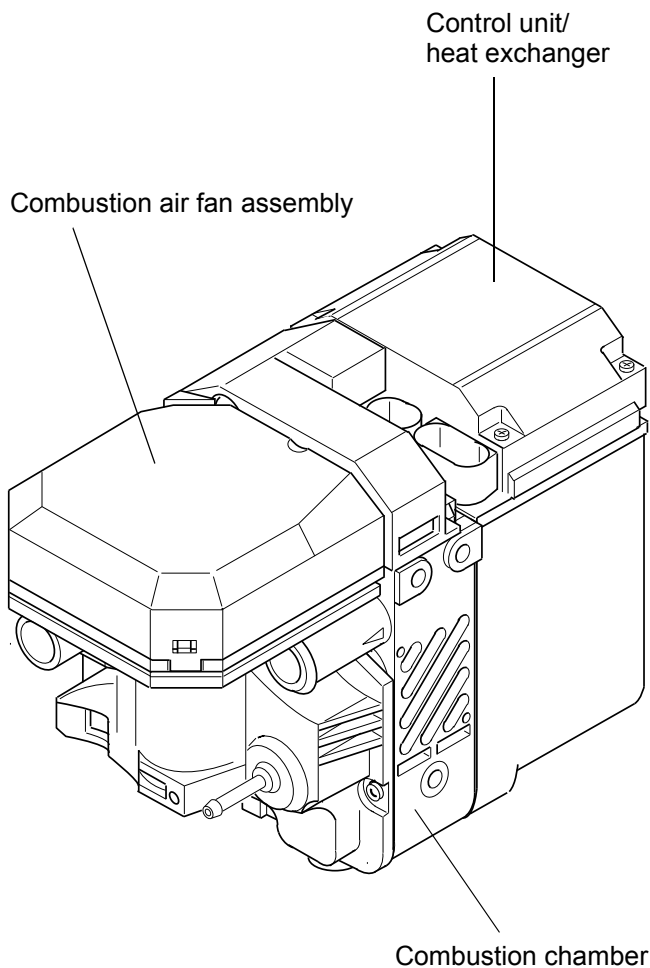
The supplementary heater Thermo Top Z may be converted into an auxiliary heater using a retrofit kit.

The heater designed to the evaporator principle operates intermittently controlled by the temperature sensor.

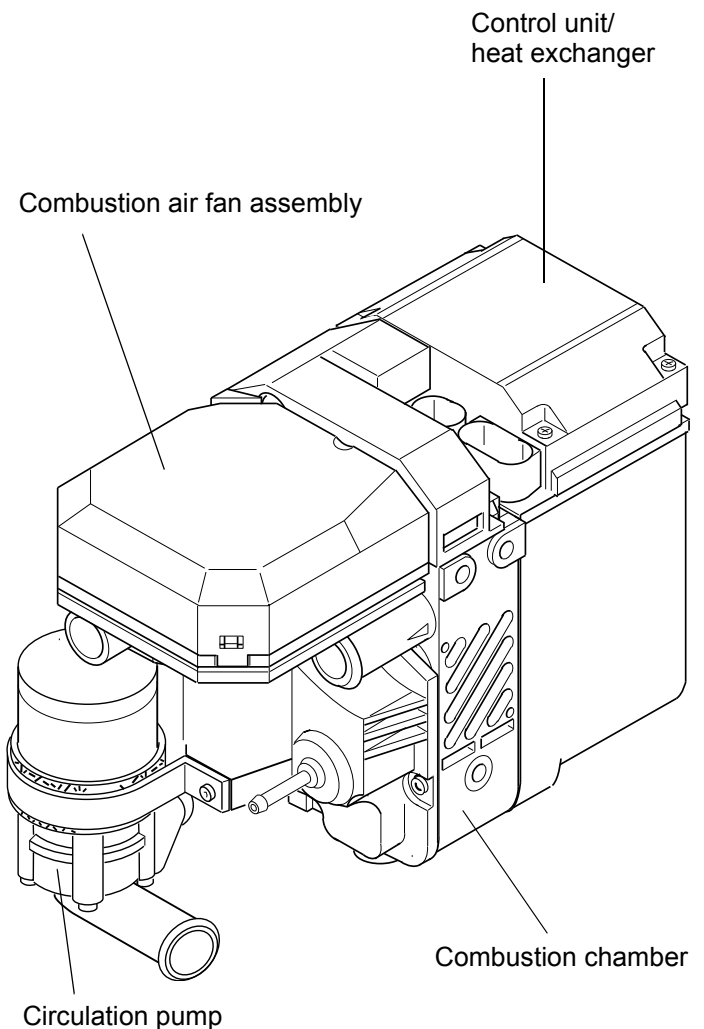
In order to minimise the battery's workload the heater switches from full-load operation to part-load operation after reaching a water temperature of 72 °C.

In this mode of operation the heater operates with extremely low noise and particularly low power and fuel consumption.

The heater consists of the combustion air fan assembly, the control unit/heat exchanger, the burner insert, the combustion chamber. The Thermo Top C heater has an additional circulation pump.



Thermo Top Z



Thermo Top C



### 2.1 Combustion Air Fan Assembly

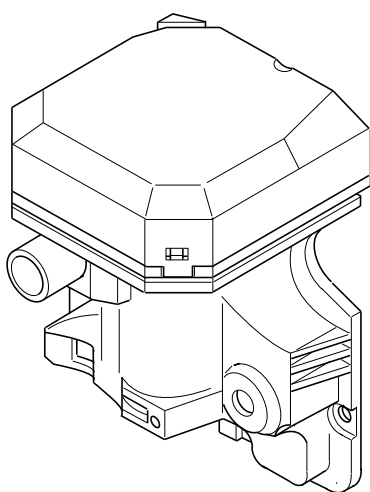
The combustion air fan assembly includes the

- combustion air fan
- combustion air line inlet
- fuel supply inlet.

The heater Thermo Top Z has the circulation pump mounted on the combustion air fan assembly.

#### 2.1.1 Combustion Air Fan

The combustion air fan delivers the air required for combustion from the combustion air inlet to the burner insert.



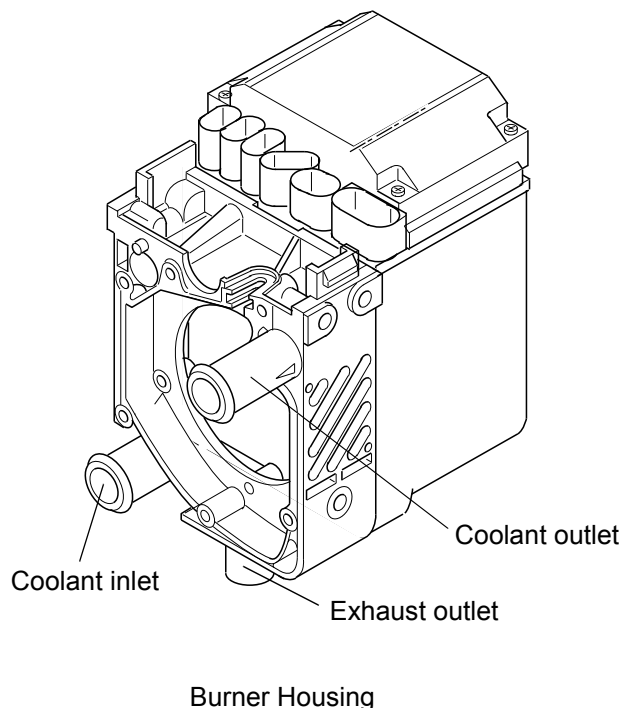
Combustion air fan assembly

### 2.2 Burner Housing

The burner housing includes the

- coolant inlet
- coolant outlet
- exhaust outlet.

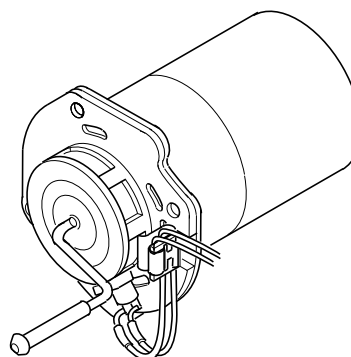
The burner housing accommodates the burner insert and is combined with the control unit/heat exchanger as an assembly.



### 2.3 Burner Insert

Inside the burner insert fuel is distributed across the combustion pipe fuel cross section. Combustion of the fuel/air mixture takes place within the combustion pipe to heat the heat exchanger.

The glow plug/flame sensor located in the burner insert ignites the fuel/air mixture during start of the heater. After start the glow plug/flame sensor operates in the flame sensor function. The glow plug/flame sensor designed as an electrical resistor is located in the burner insert opposite the flame side.



Burner insert

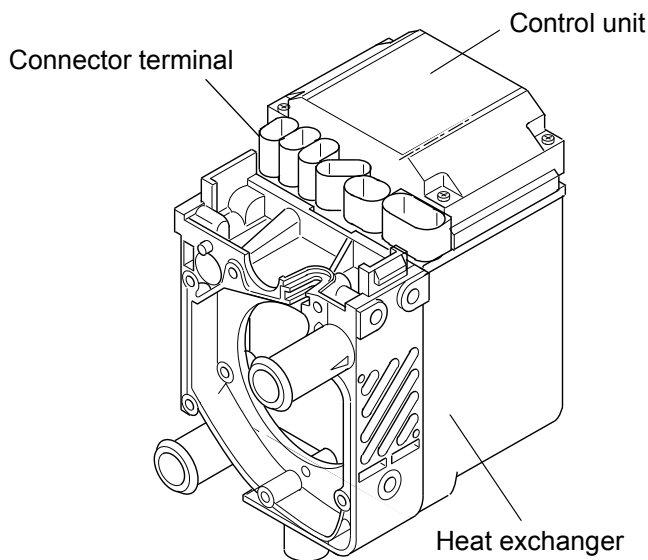
**2.4 Control Unit/Heat Exchanger**

The control unit/heat exchanger includes the

- control unit
- temperature sensor
- overheat protection
- heat exchanger
- connector terminal.

**CAUTION**

The control unit/heat exchanger and the burner housing represent an assembly and must not be disassembled.



**2.4.1 Control Unit**

The control unit is the central unit and ensures control and monitoring of combustion operation.

The control unit is ventilated by means of a ventilation hose routed from the combustion air collector compartment of the burner.

**2.4.2 Temperature Sensor**

The temperature sensor senses the coolant temperature in the heat exchanger of the heater as an electrical resistance. This signal is routed to the control unit for processing.

**2.4.3 Overheat Protection**

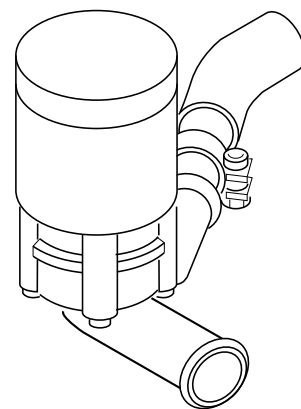
Overheat protection, controlled by a temperature resistor, protects the heater against undue operating temperatures. Overheat protection responds at a water temperature in excess of 105 °C and switches the heater off.

**2.4.4 Heat Exchanger**

The heat exchanger transfers the heat generated by combustion to the coolant circuit.

**2.5 Circulation Pump (Thermo Top C only)**

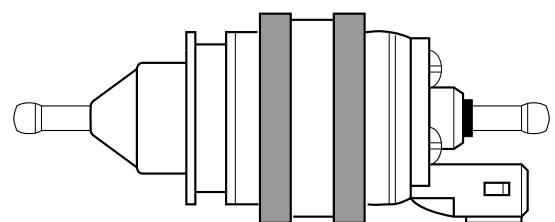
The circulation pump ensures circulation of the coolant within the vehicle and heater coolant circuit. The pump is activated by the control unit and is in continuous operation.



Circulation pump

**2.6 Dosing Pump**

The dosing pump is a combined delivery, dosing and shut-off system for the fuel supply of the heater out of the vehicle fuel tank.



Dosing Pump DP 2



### 3. Functional Description

#### 3.1 Functional Description Thermo Top Z (Supplementary Heater)

##### 3.1.1 Switch On/Starting

###### *Fuel*

When starting the vehicle engine the heater goes in standby. With a water circuit temperature below 60 °C and an outside temperature below 5 °C (option with outside temperature sensor) the starting sequence commences. The glow plug and the combustion air fan are activated. After 30 seconds the fuel dosing pump starts operation and combustion air fan operation is suspended for 3 seconds. Subsequently the combustion air fan speed is increased in a ramp within 57 seconds to nearly full load operation.

After reaching full load fuel delivery within this period the glow plug is deactivated and the combustion air fan operation increased to full load.

During the subsequent 45 seconds as well as in normal operation the glow plug functions as flame sensor to monitor the flame condition.

After all these events the automatically controlled heating operation starts. In case of a no flame condition or a flameout, a restart is automatically initiated. If the no flame condition persists, fuel delivery is stopped and the heaters enters an error lockout with a run-down of the combustion air fan.

###### *Diesel*

When starting the vehicle engine the heater goes in standby. With a water circuit temperature below 60 °C and an outside temperature below 5 °C (option with outside temperature sensor) the starting sequence commences. The glow plug and the combustion air fan are activated. After 30 seconds the fuel dosing pump starts operation and combustion air fan operation is suspended for 3 seconds. Subsequently the combustion air fan speed is increased in two ramps within 56 seconds to nearly full load operation. After a stabilisation phase (constant speed) of 15 seconds the combustion air fan speed is again increased in a ramp within 50 seconds to nearly full load.

After reaching full load fuel delivery the glow plug is deactivated and the combustion air fan operation increased to full load.

During the subsequent 45 seconds as well as in normal operation the glow plug functions as flame sensor to monitor the flame condition.

After all these events the automatically controlled heating operation starts. In case of a no flame condition or a flameout, a restart is automatically initiated. If the no flame condition persists, fuel delivery is stopped and the heater enters an error lockout with a run-down of the combustion air fan.

A flameout during normal combustion operation causes an automatic restart.

##### 3.1.2 Heating Operation

###### *Fuel*

When the temperature rises to reach 72 °C the heater switches to the energy saving part load operation. A rise in temperature up to 76.5 °C causes the heater to enter a control idle period. This also happens when exceeding a total heating operating time of 76 minutes.

After cool-down of the coolant to 71 °C the heater resumes part load operation. Another rise in temperature to 76.5 °C causes the heater to enter again the control idle period. A drop in the coolant temperature during part load operation due to an increased demand in heat will cause the heater to switch to full load operation at 56 °C.

###### *Diesel*

Heating operation for the Diesel type heater is identical in the sequence of events. Should the coolant temperature drop during the control idle period to but not below 71 °C within 900 seconds, a subsequent drop in the coolant temperature below 71 °C causes the heater to perform a regular starting sequence into full load operation.

A drop in the coolant temperature during part load operation due to an increased demand in heat will cause the heater to switch to full load operation at 65 °C.

##### 3.1.3 Switch Off/Deactivation

When turning the engine off the heater is deactivated. Combustion stops and run-down commences. The combustion air fan first continues operation to cool the heater down (run-down) to be automatically switched off afterwards.

#### **NOTE**

The run-down time and the combustion air fan speed depend on the heater operating condition at the time of deactivation.

Run-down time is for:

###### *Fuel*

168 seconds when deactivated in full load operation and 157 seconds when deactivated in part load operation.


###### *Diesel*

175 seconds when deactivated in full load operation and 100 seconds when deactivated in part load operation. Dependent on the software variant implemented in the control unit there might be deviations from those run-down periods.

#### 3.2 Functional Description Thermo Top C (Auxiliary Heater)

##### 3.2.1 Switch On


###### *Fuel*

When operating the "instant heat" switch button the timer display shows  or when operating the switch on the Telestart transmitter the operating indicator light on the transmitter flashes. This puts the heater in standby.

The glow plug, the combustion air fan and the circulation pump are activated. After 30 seconds the fuel dosing pump starts operation and combustion air fan operation is suspended for 3 seconds. Subsequently the combustion air fan speed is increased in a ramp within 57 seconds to nearly full load operation. After reaching full load fuel delivery within this period the glow plug is deactivated and the combustion air fan operation increased to full load. During the subsequent 45 seconds as well as in normal operation the glow plug functions as flame sensor to monitor the flame condition.

After all these events the automatically controlled heating operation starts. In case of a no flame condition or a flameout, a restart is automatically initiated. If the no flame condition persists, fuel delivery is stopped and the heaters enters an error lockout with a run-down of the combustion air fan.

###### *Diesel*

When operating the "instant heat" switch button the timer display shows  or when operating the switch on the Telestart transmitter the operating indicator light on the transmitter flashes. This puts the heater in standby.

The glow plug, the combustion air fan and the circulation pump are activated. After 30 seconds the fuel dosing pump starts operation and combustion air fan operation is suspended for 3 seconds. Subsequently the combustion air fan speed is increased in two ramps within 56 seconds to nearly full load operation. After a stabilisation phase (constant speed) of 15 seconds the combustion air fan speed is again increased in a ramp within 50 seconds to nearly full load.

After reaching full load fuel delivery the glow plug is deactivated and the combustion air fan operation increased to full load.

During the subsequent 45 seconds as well as in normal operation the glow plug functions as flame sensor to monitor the flame condition.

After all these events the automatically controlled heating operation starts. In case of a no flame condition or a flameout, a restart is automatically initiated. If the no flame condition persists, fuel delivery is stopped and the heater enters an error lockout with a run-down of the combustion air fan.

A flameout during normal combustion operation causes an automatic restart.

##### 3.2.2 Heating Operation

###### *Fuel*

When the temperature rises to reach 72 °C the heater switches to the energy saving part load operation. A rise in temperature up to 76.5 °C causes the heater to enter a control idle period. This also happens when exceeding a total heating operating time of 76 minutes.



The circulation pump, the vehicle's own heating air fan, and the operation indicator light remain on during control idle.

After cool-down of the coolant to 71 °C the heater resumes part load operation. Another rise in temperature to 76.5 °C causes the heater to enter again the control idle period. A drop in the coolant temperature during part load operation due to an increased demand in heat will cause the heater to switch to full load operation at 56 °C.

###### *Diesel*

Heating operation for the Diesel type heater is identical in the sequence of events. Should the coolant temperature drop during the control idle period to but not below 71 °C within 900 seconds, a subsequent drop in the coolant temperature below 71 °C causes the heater to perform a regular starting sequence into full load operation.

##### 3.2.3 Switch Off

When turning the heater off by pushing the "instant heat" switch button  ( in indicator panel extinguishes) or when operating the switch on the Telestart (flashing indicator on hand-held transmitter extinguishes) the vehicle heating air fan stops. Combustion terminates and run-down commences. The circulation pump and the combustion air fan first continue operation to cool the heater down (run-down) to be automatically switched off afterwards.

###### **NOTE**

The run-down time and the combustion air fan speed depend on the heater operating condition at the time of deactivation.

Run-down time is for:

###### *Fuel*

168 seconds when deactivated in full load operation and 157 seconds when deactivated in part load operation.

###### *Diesel*

175 seconds when deactivated in full load operation and 100 seconds when deactivated in part load operation. Dependent on the software variant implemented in the control unit there might be deviations from those run-down periods.

### **3.2.4 Auxiliary Heater in Supplementary Heater Function**

#### **3.2.4.1 Switch On**

When starting the engine the heater goes in standby (see 3.1.1).

With the temperature of the water circuit below 60 °C and the outside temperature below 5 °C (option with external temperature sensor) the starting procedure is initiated.

#### **NOTE**

When operating in the supplementary heater function there will be no automatic trigger of the circulation pump and the vehicle's heating air fan.

#### **3.2.4.2 Switch Off**

Turning the engine off deactivates the heater.

Combustion is terminated and run-down commences.

The combustion air fan however continues operation to cool the heater down (run-down) to be automatically switched off afterwards (see 3.1.3).



**4. Technical Data**

Where no threshold values are specified technical data in the table are understood to include standard tolerances for heater units of  $\pm 10\%$  at an ambient temperature of  $+20\text{ }^\circ\text{C}$ .

All electrical components are selected for a nominal voltage of 12 Volts.

Heater	Operation	Thermo Top Z/C-B	Thermo Top Z/C-D
Mark of conformity		~ S292	~ S289
Type		Water heater with evaporator burner	
Heating flow	Full load Part load	5.0 kW 2.5 kW	
Fuel		Fuel	Diesel
Fuel consumption	Full load Part load	0.50 kg/h 0.25 kg/h	
Nominal voltage		12 V	
Operating voltage range		10.5 ... 15 V	
Nominal power consumption without circulation pump (without vehicle air fan)	Full load Part load	32 W 18 W	
Permissible ambient temperature: Heater: - operation - storage Dosing pump - operation		-40 °C ... +60 °C -40 °C ... +120 °C -40 °C ... +20 °C	
Permissible operating overpressure (heat carrier)		0.4 ... 2.5 bar	
Heat exchanger capacity		0.15 l	
Minimum coolout circuit capacity		4.00 l	
Minimum volume flow for the heater		250 l/h	
CO <sub>2</sub> in exhaust (permissible functional range)		7 ... 13 vol.-%	
Dimensions of heater		length 214 mm width 106 mm height 168 mm	
Weight		2.9 kg	

<b>Circulation pump</b>		<b>4847</b>
Volume flow against 0.14 bar		450 l/h
Nominal voltage		12 V
Operating voltage range		10.5 ... 15 V
Nominal power consumption		14 W
Dimensions of circulation pump		length 95 mm width 61 mm height 61 mm
Weight		0.3 kg





5. Troubleshooting

5.1 General Fault Symptoms

The following table (Fig. 501) lists possible fault symptoms of general nature for heaters in installed condition.

**CAUTION**

Troubleshooting requires profound knowledge about components and their theory of operation and may only be performed by trained personnel.

In case of doubt functional interrelations may be derived from Sections 2 and 3.

**CAUTION**

Troubleshooting is normally limited to the isolation of defective components and provides information on defective wiring and connections. The following possible causes for trouble have not been taken into consideration and must always be excluded as a possible cause for malfunctions:

- corrosion on connectors**
- loose contacts on connectors**
- wrong crimping on connectors**
- corrosion on wiring and fuses**
- corrosion on battery terminals**

After any fault correction a functional checkout in the vehicle has to be performed (see 6.2).

Symptom	Remedy
Smell of fuel	Check heater system integration in vehicle's fuel system. Check fuel lines for leakage, kinks or obstructions. If o.k. there is a heater internal leak. Remove heater and perform troubleshooting on repair shop level.
Heater does not achieve full load operation	Remove heater and perform troubleshooting on repair shop level.
Continuous white smoke during combustion operation	Remove heater and perform troubleshooting on repair shop level.
Heater cannot be switched off	Perform functional test of Timer (see 6.2.2) or of Telestart device (see 6.2.3). Replace or repair defective component.
Loss of coolant (dripping); heater develops smoke during combustion operation; smell of exhaust fumes extremely sweet	Inspect coolant hoses for leakage, kinks, loose hose clamps, etc. If o.k. there is a heater internal leak. Remove heater and perform troubleshooting on repair shop level.
Loss of fuel (dripping)	Check heater system integration in vehicle's fuel system. Check fuel line connections for leakage. If o.k. there is a heater internal leak. Remove heater and perform troubleshooting on repair shop level.

Fig. 501 Fault Symptoms

**5.2 Malfunctions****5.2.1 Error Lockout by Malfunction of Heater**

In case of a "no flame-up" condition fuel is delivered for a maximum of 180 seconds.

In the event of overheating (temperature limiter responds) fuel delivery is stopped immediately.

In all cases of malfunction (except for a defect on the combustion air fan) there will be an error lockout with a subsequent run-down. Dependent on the software variant implemented there might be deviations from the run-down times specified.

**NOTE**

An error lockout due to overheating does not display an indication.

**5.2.2 Error Lockout due to Low or High Voltage**

A low voltage level of  $10.5 \pm 0.3$  V (measured at the wiring harness input) over a period of 20 seconds will cause an error lockout with a run-down of 120 seconds.

A high voltage level of  $15.5 \pm 0.5$  V (measured at the heater) over a period of more than 6 seconds will also cause an error lockout with a run-down of 120 seconds.

**Heater Lock out Reset Procedure:**

The control unit continuously monitors the heater operation. The control unit identifies errors on individual heater components and faults during operation. Should the control unit experience component errors and operational faults, the heater may be shut down.

1. Using switch or standard timer control, turn heater on
2. Remove the main power connection to heater from battery or pull fuse for a minimum of 20 seconds.
3. Using switch or standard timer control, turn the heater off.
4. Reinstall main heater power connection where previously disconnected.

Rectify the cause of the fault.

**IMPORTANT:** Heater fault codes can be read using PC Diagnostics, however, the heater lockout reset must be manually performed using the procedure stated above.

If you have any questions, contact our technical support team at (800) 860-7866 or via email at: [info-us@webasto.com](mailto:info-us@webasto.com)

## 6. Functional Checkouts

### 6.1 General

This section describes the tests on the heater and its components in installed and removed condition as well as the test with the Timer and the Telestart T60 to prove serviceability.

#### WARNING

The heater must not be operated in enclosed areas like garages or workshops not provided with exhaust ventilation facilities.

### 6.2 Functional Tests in the Vehicle

#### 6.2.1 Heating Operational Test (Thermo Top C)

1. Ensure that fan switch is set to the lowest stage or the stage recommended in the operating instructions.
2. Ensure that the air intake is free from foreign matter (snow, leaves etc.) and that the pollen or dust filters are unobstructed (if applicable).
3. Ensure that that the vehicle coolant circuit and fuel system have been thoroughly bled in accordance with manufacturer's instructions.

#### NOTE

Take the time of the following functions with a stop watch or any other suitable means. The exact times for the heaters Thermo Top Z and C, diesel and fuel version, are described in Section 3.

4. Switch heater on using Timer or Telestart.
  - Activation of heater causes circulation pump and combustion air fan to operate. Operating noise is audible. Vehicle heating air fan operates after coolant has reached a temperature of 30 °C.
  - After approx. 130 seconds the heater starts to operate which can be verified by exhaust emissions from the exhaust muffler or exhaust pipe.

5. Allow heater to continue operation. Check heating efficiency at air exit of vehicle heating air fan.

#### NOTE

Heating efficiency depends on several factors: for assessment use outside temperature, type of vehicle, engine temperature or type of heater integration in the vehicle's cooling system, the quantity of the coolant to be heated and the time passed since heater start.

#### NOTE

Take the time of the following functions with a stop watch or any other suitable means.

6. Switch heater off using Timer or Telestart.
  - Switch off causes a run-down of approx. 110 seconds out of part load operation or of 175 seconds out of full load. Verification by stoppage of exhaust emissions and audible continuation of circulation pump operation.
  - After run-down the heater will be completely deactivated (with ignition off).

### 6.2.2 Timer Functional Test (Thermo Top C)

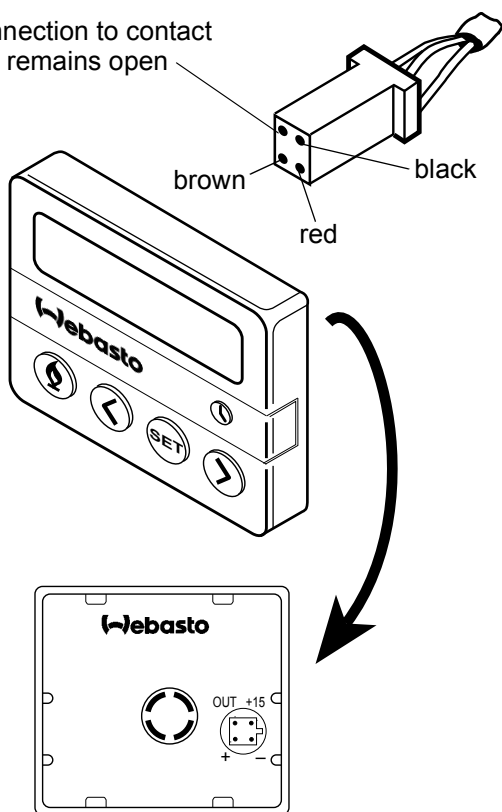
#### 6.2.2.1 Voltage Check

1. Remove cover using a small screw driver.
2. Loosen screw.
3. Disconnect plug from clock.
4. Measure voltage between "+" and "-" (see figure). Voltage indicated is according to voltage of vehicle battery, approx. 12 V.


#### NOTE

In case no voltage is indicated check or replace fuse F2 and/or timer wiring.

Connection to contact  
+15 remains open



#### 6.2.2.2 Switch On Signal Test

1. Operate "ON"  button and check voltage between "-" and "OUT". Voltage is approx. 7 V with the timer connected to the control unit or 12 V with the output not connected.
2. Operate "ON" button again and check voltage between "-" and "OUT". Voltage is 0 V.

### 6.2.3 Telestart T60 Functional Test (Thermo Top C)

#### 6.2.3.1 Transmitter Check

1. Operate switch on transmitter. Ensure operating indicator light (green or red LED) flashes. If LED is not flashing, batteries are too cold or too weak.
2. Using switch on transmitter switch Telestart off.

## 6.3 Repair Shop Level Testing

### 6.3.1 Components Testing

#### 6.3.1.1 Glow Plug/Flame Sensor Resistance Check

When testing the glow plug/flame sensor with a digital multimeter, the following readings should be obtained:

Resistance at 25 °C: 0.324 ... 0.360 Ω

Test current: < 5 mA

## 7 Circuit Diagrams

### 7.1 General

The connector pin assignment of control unit Thermo Top Z/C is shown in Fig. 701.

The circuit diagrams (Fig. 703) show the electrical circuit of the heater in combination with Timer.

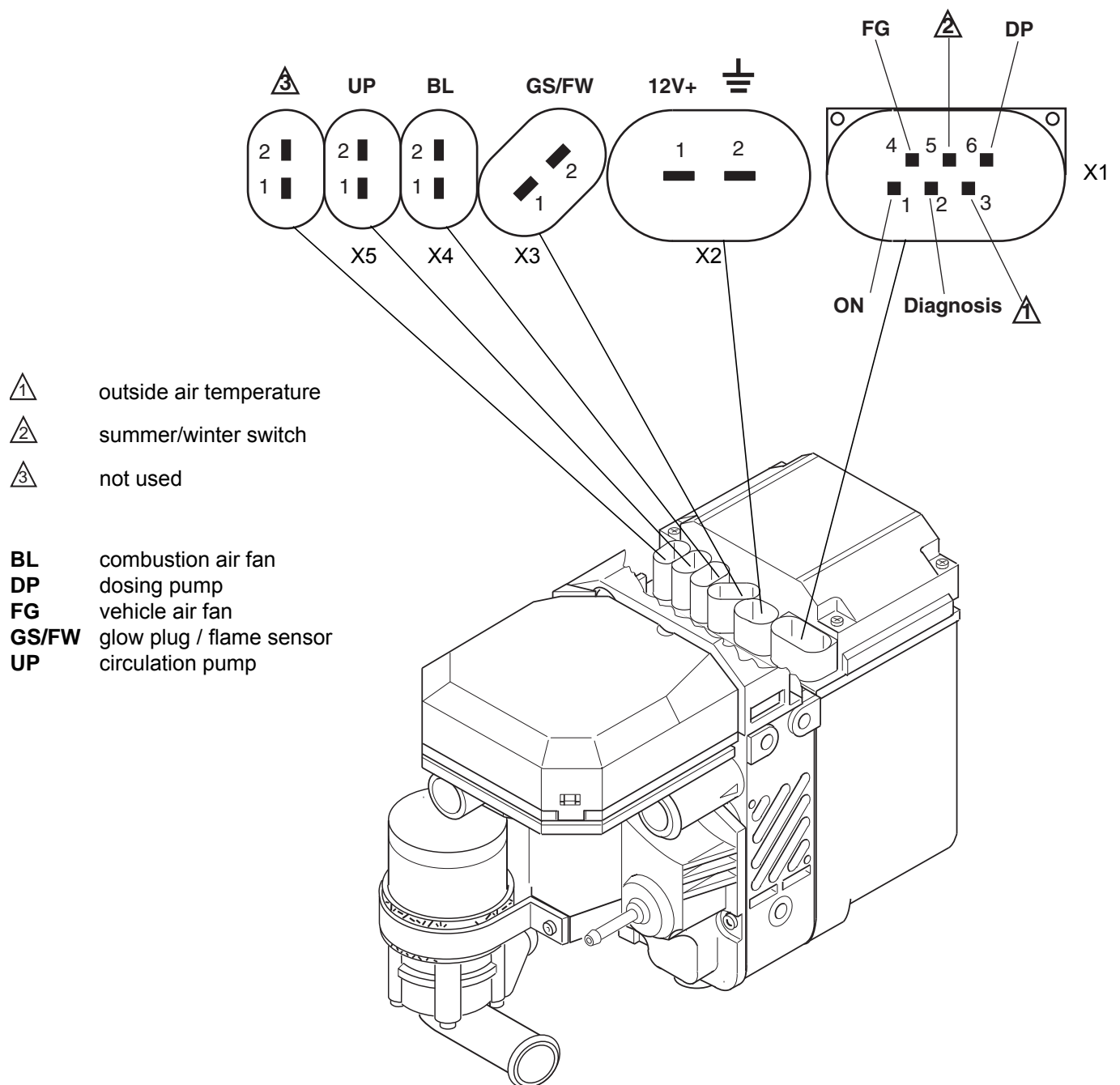
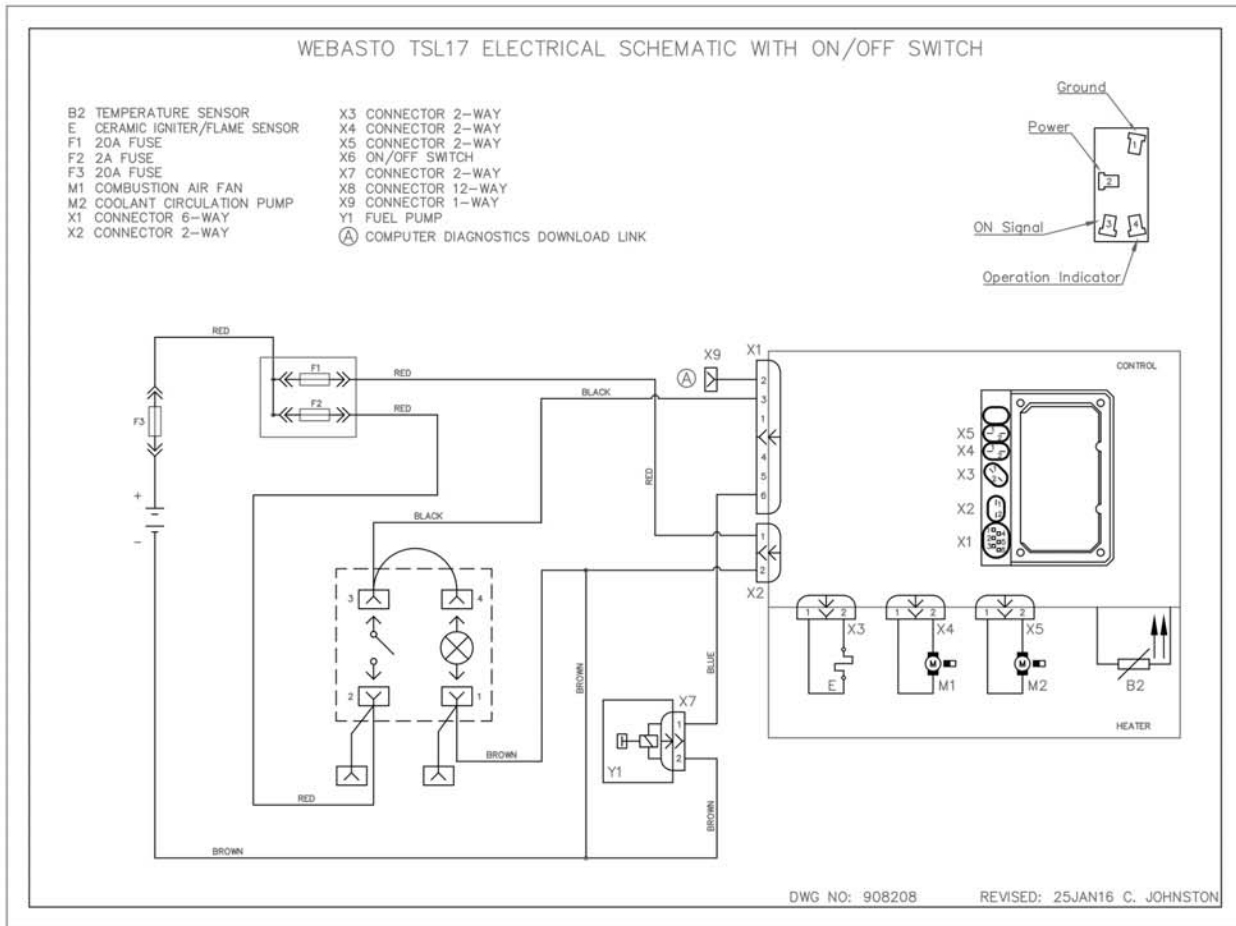


Fig. 701 Control Unit Connector Pin Assignment (Thermo Top C)



Wire Gauges		
	< 7.5 m	7.5 - 15 m
⋯⋯⋯⋯	0,5 mm <sup>2</sup>	0,75 mm <sup>2</sup>
— — — —	0,75 mm <sup>2</sup>	1,5 mm <sup>2</sup>
— — — —	1,5 mm <sup>2</sup>	2,5 mm <sup>2</sup>
— — — —	2,5 mm <sup>2</sup>	4,0 mm <sup>2</sup>
— — — —	4,0 mm <sup>2</sup>	6,0 mm <sup>2</sup>

Wire Colours	
bl	blue
br	brown
ge	yellow
gn	green
gr	grey
or	orange
rt	red
sw	black
vi	violet
ws	white

## 8. Servicing

### 8.1 General

This section describes the servicing procedures allowed on the heater when installed.

#### WARNING

There is a potential danger of skin burns as the heater and its components may be very hot.

### 8.2 Work on the Heater

For any type of work on the heater the main power supply cable is to be disconnected from the vehicle battery. As long as the heater is in operation or in run-down the battery main power supply must not be disconnected to prevent the heater from overheating by response of the overheat protection. When performing long time repairs on the heater its removal is compulsory. After repairs on the heating circuit it must be replenished with a mixture of coolant and water to manufacturer's instructions followed by careful bleeding of the circuit. Repairs requiring a change of location the relevant installation instructions and the vehicle specific heater installation proposal have to be observed.

### 8.3 Work on the Vehicle

#### CAUTION

In the vicinity of the heater a temperature of 120 °C must under no circumstances be exceeded (e.g. during paint work on the vehicle).

### 8.4 Heater Test Run

The heater must not be operated, not even with the timer, in enclosed areas like garages or workshops not provided with exhaust ventilation facilities.

### 8.5 Servicing

To ensure functional reliability of the heater the following servicing must be performed in regular intervals:

- clean air heater exterior (prevent the ingress of water).
- examine electrical connections for corrosion of contacts and for security.
- inspect combustion air and exhaust ducting for damage and obstructions.

- inspect fuel lines and fuel filter for leakage.
- inspect coolant circuit and circulation pump (Thermo Top C only) for leakage.
- inspect hoses for cracks.
- replace fuel filter, if installed.

## 8.6 Visual Inspections and Installation Regulations

### 8.6.1 Connection to Vehicle Cooling System

The installation location of the heater should be as low as possible to ensure self-venting of the heater and circulation pump. This applies in particular to the circulation pump (Thermo Top C only), which is not self-sucking.

The heater is to be connected to the vehicle cooling system according to Fig. 801 or 802. The amount of coolant used in the circuit must be at least 4 litres.

The heater integration into the cooling circuit must be upstream of the vehicle's own heat exchanger.

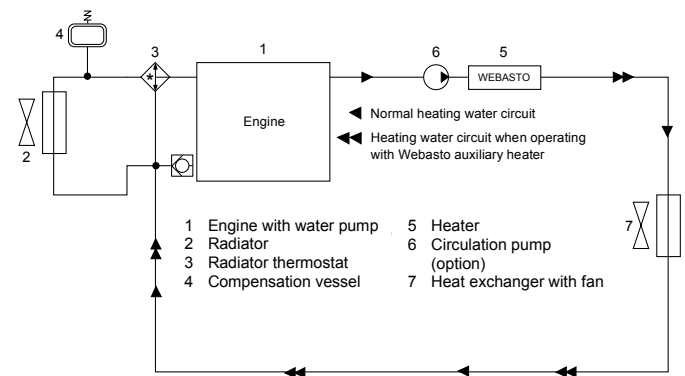


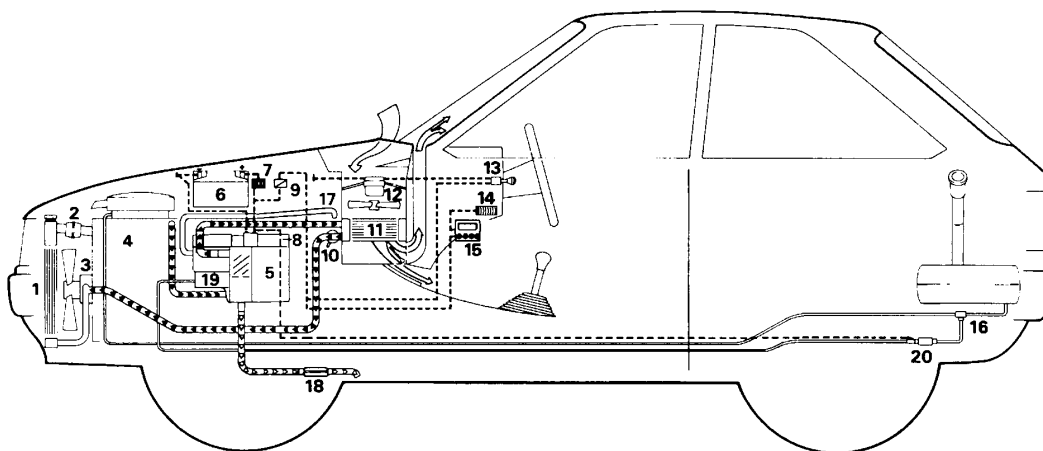
Fig. 801  
"Inline" Integration in the Engine Water Cooling Circuit

The coolant hoses supplied by Webasto must be installed, other hoses must meet at least the DIN 73411 requirement. The hoses are to be routed upwards as far as possible and without kinks to ensure proper venting. Hose connections must be protected against slippage using hose clamps.



Prior to the heater's first operation or after renewal of the coolant the cooling system must be carefully bled. The heater and the lines must be installed to ensure static venting.

Insufficient venting may cause overheating during heater operation.



- |   |  |
|---|--|
| 1 Radiator                                  | 12 Air fan of vehicle heating system                             |
| 2 Coolant thermostat                        | 13 Switch for air fan of vehicle heating system                  |
| 3 Water pump (of vehicle engine)            | 14 Fuse box in vehicle   |
| 4 Vehicle engine with standard outfit       | 15 Timer   |
| 5 Water heater                              | 16 Fuel tapping  |
| 6 Battery                                   | 17 Air intake muffler  |
| 7 Fuse holder                               | 18 Exhaust muffler   |
| 8 Control unit (in heater)                  | 19 Circulation pump (only applicable for supplementary heating)* |
| 9 Relay (for vehicle air fan)               | 20 Fuel dosing pump  |
| 10 Control valve of vehicle heating system  | * part of modification kit                                       |
| 11 Heat exchanger of vehicle heating system |  |

Fig. 802 Example for Heater Installation in Passenger Vehicle

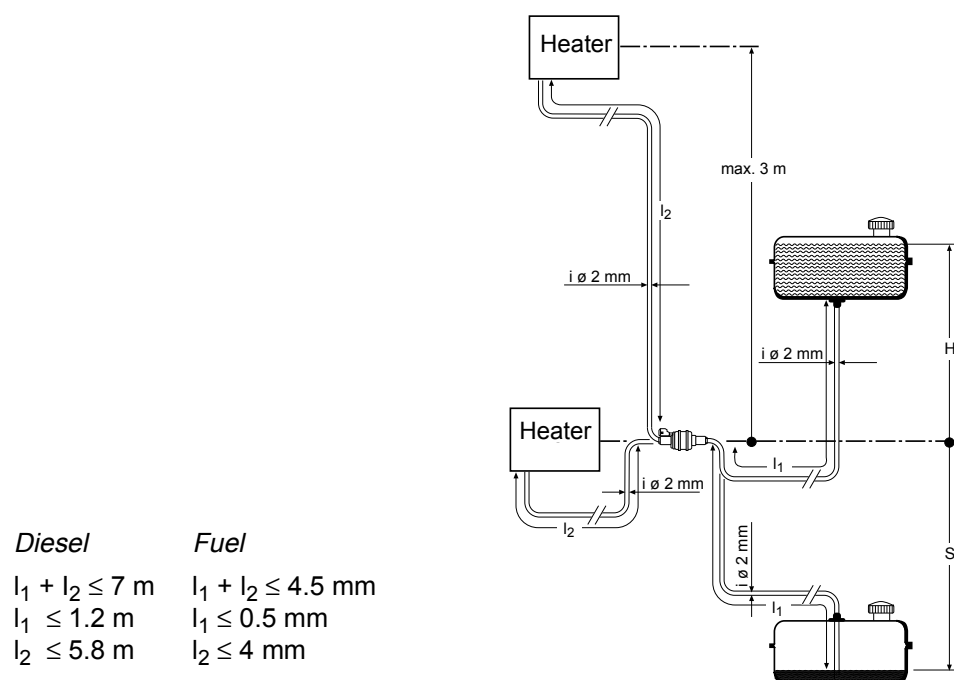


Fig. 803 Fuel Supply

**8.6.2 Connection to Vehicle Fuel System**

In vehicles with carburettor or fuel injection including a return line the heater fuel system integration must be according to Fig. 802.

Carburettor engines without return line must have the heater integrated in the fuel system's fuel supply line between fuel tank and vehicle fuel pump.

**NOTE**

A fuel supply line can normally be identified by the installation of a fuel filter. If the degassing vessel is included in the vehicle fuel system installation, the fuel tap must be located upstream of the degassing vessel.

The following table lists the pressures permitted at the fuel tapping location.

Permitted fuel feed height (H) m	at max. permissible overpressure (bar) in fuel line	
	Fuel	Diesel
0.00	0.15	0.30
1.00	0.07	0.21
Permitted suction height S (m)	at max. permissible negative pressure (bar) in fuel tank	
	Fuel	Diesel
0.00	-0.04	-0.35
0.50	-0.00	-0.31
1.00	-	-0.27

Fuel tappings from the supply or return line may only use the special Webasto fuel tap.

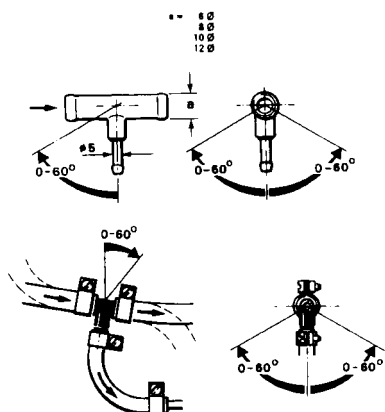


Fig. 804 Webasto Fuel Tap

The fuel tap is to be mounted so that air or gas bubbles may escape towards the fuel tank.

Air or gas bubbles may build up in the vehicle fuel line in case the carburettor or the fuel pump is leaking or if ambient temperatures exceed the fuel evaporation temperature.

The fuel tap should not be located near the engine, as gas bubbles may build up due to the heat radiated by the engine resulting in malfunctions of combustion operation.

When installing the heater in vehicles with fuel injection system, the fuel pump location, internal or external of the fuel tank, must be investigated.

With a fuel pump located inside the fuel tank, fuel may be tapped only from the return line, ensuring that the return line is routed almost all the way down to the fuel tank floor. Otherwise the return line may be lengthened.

**NOTE**

If the fuel return line is provided with a check valve, a bypass must be provided.

With a fuel pump located outside of the fuel tank the fuel tap may be located between tank and fuel pump.

**8.6.2.1 Fuel Lines**

Fuel lines may only be steel, copper, or plastic lines made of unhardened, light and temperature stabilised PA 11 or PA 12 (e.g. Mecanyl RWTL) according to DIN 73378.

As in most cases a permanently rising fuel line routing cannot be ensured, the inner diameter must not exceed a certain value. Starting from an inside diameter of 4 mm, air or gas bubbles accumulate resulting in malfunctions should the lines be descending or having sags. The diameters specified in Fig. 803 ensure no disturbing formation of bubbles.

A descending line routing from the dosing pump to the heater should be avoided.

Loose fuel lines must be secured in order to avoid sagging. The installation must ensure protection against stone impacts and undue temperatures (exhaust line).

**NOTE**

Hose clamps must be torque tightened to 1.0 ± 0.4 Nm.

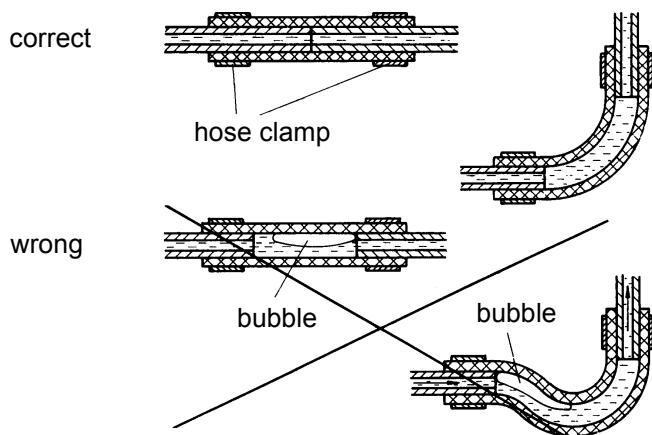


Fig. 805 Pipe/Hose Connection

**8.6.2.2 Dosing Pump**

The dosing pump is a combined delivery, dosing and shut-off system and is subject to certain installation criteria (Fig. 803 and 806).

Concerning the installation location of the dosing pump it must be ensured that the maximum pressure at the tapping location is below the permissible value (see table of 8.6.2.).

It is advantageous to mount the dosing pump in a cool location. The ambient temperature must never exceed + 20 °C during operation.

Dosing pump and fuel lines must not be installed in locations exposed to heat radiated by hot vehicle components. A heat shield is to be provided as necessary.

The preferred installation location is near the tank.

The dosing pump is to be attached with an anti-vibration mount. The installation position is limited according to Fig. 806 to ensure sufficient self-venting capability.

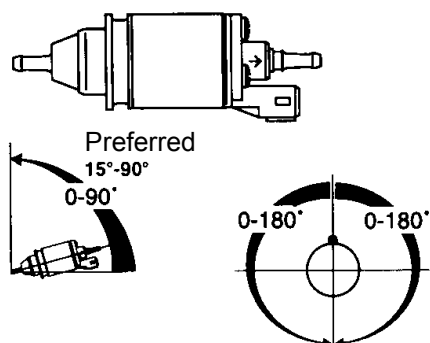


Fig. 806 Dosing Pump, Installation Position

**8.6.2.3 Combustion Air Supply**

A combustion air intake line is required.

The combustion air intake location must be protected against splash water.

The combustion air line may be routed in several bends (total of 270°, smallest bending radius 50 mm). The maximum line length is 1000 mm.

The combustion air must under no circumstances be taken in from rooms accommodating persons. If the heater is contained in an installation box, a vent hole of at least 3 cm<sup>2</sup> is required.

Should the temperature within the installation box exceed the permitted ambient temperature of the heater, the vent hole must be enlarged after consulting Webasto.

The combustion air intake must be located so that clogging by contamination is not to be expected. The intake must **not** point in the direction of forward motion.

When installing the heater in the vicinity of the vehicle fuel tank in a common installation compartment, the combustion air must be taken in from and the exhaust vented to the exterior. The line feedthroughs must be sealed against splash water.

**8.6.3 Exhaust Line**

The exhaust line (inner diameter 22 mm) may be routed in several bends (total of 270°, smallest bending radius 50 mm). The minimum line length is 500 mm, the maximum length is 1000 mm.

The exhaust muffler is to be mounted near the heater, however at least 200 mm away from the heater. The exhaust muffler must not be installed near the combustion air intake. Heater operation without exhaust muffler is not permitted.

**NOTE**

Accumulations of condensate in the exhaust line must be directly drained. A condensate drain hole (3 mm Ø) may be provided as required.

The exhaust line outlet must not point in the direction of forward motion (Fig. 807)

Rigid pipes of unalloyed steel with a minimum wall thickness of 1.0 mm or flexible hoses of alloyed steel only may be used as exhaust ducts.

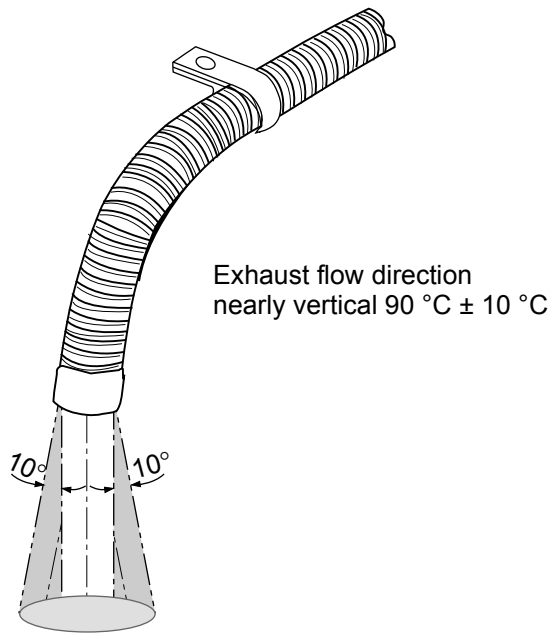


Fig. 807 Exhaust Pipe Outlet, Installation Position

## 8.7 Removal and Installation

### CAUTION

In the heater installed condition only the circulation pump removal and installation is permitted should accessibility allow for such action (see 9.2.1).

### 8.7.1 Heater, Removal and Installation

#### 8.7.1.1 Removal

1. Disconnect heater power supply by removing 20 A flat fuse (blue) from Webasto fuse holder.
2. Disconnect electrical connections from heater.  
Disconnect antenna cable to Telestart receiver T6 at screw type locking connector.
3. Open radiator cap for depressurisation, then close cap.

### NOTE

Collect coolant escaping in a vessel or prevent coolant from escaping by using squeezing tongs.

4. Loosen hose clamps and disconnect coolant hoses from heater.
5. Loosen heater from its mount.
6. Loosen hose clamps, disconnect fuel line and close with suitable plug or any other means.

#### 8.7.1.2 Installation

1. Locate heater for installation.
2. Connect fuel line to heater and secure with clamp.
3. Connect coolant hoses and secure with spring band steel clamps.
4. Restore all electrical connections at connector terminal.
5. Connect antenna cable to Telestart receiver as required.
6. Reconnect battery terminals.
7. Bleed coolant circuit.
8. Bleed fuel system as required.

## 8.7.2 Timer, Removal and Installation

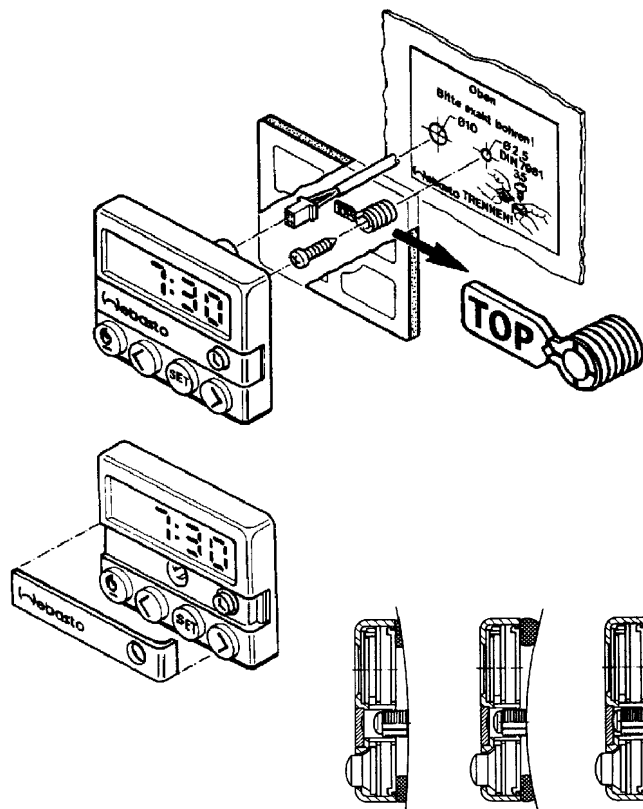
Timer removal and installation is to be performed in accordance with Fig. 808. For initial installation use drilling stencil. The electrical connection is shown in Section 7.

**CAUTION**

During installation do not exert pressure on display.

**NOTE**

Only the timer shown in Fig. 805 may be used in combination with the heater.



After heater installation the coolant circuit as well as the fuel supply system must be carefully bled observing the relevant manufacturer's instructions.

During the heater test run inspect all coolant and fuel connections for leakage and security. Should the heater during operation enter an error lockout condition, perform troubleshooting (see Section 5).

Fig. 808 Timer, Removal and Installation

**8.8 Initial Operation**

**DANGER:** HEATER MUST BE SWITCHED “OFF” WHEN REFUELING AT FILLING STATIONS AND/OR WHILE LOADING OR UNLOADING FLAMMABLE MATERIALS FOR TRANSPORT, TO PREVENT THE RISK OF EXPLOSION. PLEASE REVIEW OWNER’S MANUAL FOR SAFETY AND USE INSTRUCTIONS.

Before starting the heater for the first time, complete the following checklist.

<b>HEATER MOUNTING</b>		<b>Complete (Yes/No/Comments)</b>
1	Is the heater installation safely secure / rigid? (Ensure that all bracket bolts are tight)	
2	Is there a safe clearance from heat generating Components? (I.e. exhaust, etc...)	
3	Is there sufficient clearance between heater and any vehicle moving components under all operating conditions? (steering cranked to extreme positions, torqued engine, suspension, etc...)	
4	Is the heater mounted in an acceptable position according to the limitations noted in the installation manual?	
5	Is the heater installed in a protected location from road debris and splash-water or items stored in the same area?	
6	Is there a sufficient amount clearance between the heater and the ground? (Coolant heaters only)	

<b>COOLANT SYSTEM</b>		<b>Complete (Yes/No/Comments)</b>
1	Is there a safe clearance (min 4 in.) from heat generating components? (exhaust, etc...)	
2	Is there a safe clearance from sharp edges / objects? Ensure a heat protective has been installed (if applicable)	
3	Are there any kinks, sharp bends or the possibility for pinched hoses or harnesses, cuts and rub through?	
4	Have all the hose clamps been properly positioned and tightened?	
5	Has the coolant system been topped off and bleed per the <b>vehicle manufacture’s specifications for proper mixture and type?</b>	
6	Has a pressure test been performed on the coolant system under all operating conditions?	
7	Have the coolant hoses been installed so that they are below the coolant filler cap?	
8	Has the coolant flow direction been verified?	

ELECTRICAL		Complete (Yes/No/Comments)
1	Has all wiring been safely secured away from moving components and / or heat sources?	
2	Check for proper power and ground connections.	
3	Has blower motor functionality been tested (if applicable)?	
4	Check for proper fuse tap connection.	
5	Verify the correct fuses are in the specified locations per the installation manual.	
6	Ensure heater and vehicle fuse boxes are closed and secure. Was the Webasto fuse block installed in a location protected from water and / or moisture?	
7	Ensure blower motor resistor (1.0Ω) is securely mounted and has sufficient clearance from any plastic component and battery.	
8	Ensure battery is mounted securely and connections are properly tightened.	
9	Ensure battery is at $\geq 12.2\text{Vdc}$ .	

FUEL SYSTEM		Complete (Yes/No/Comments)
1	Is the standpipe properly mounted in the fuel tank? (sealed, structural integrity maintained).	
2	Validate the standpipe does not interfere with function of sending unit by checking fuel gauge for proper operation before completing installation of tank.	
3	Verify that all fuel lines are properly secured and are a safe distance (min. 4 in.) from exhaust systems and / or moving components.	
4	Check all fuel lines for leaks or kinks.	
5	Check fuel line clamps for proper positioning and tightness. Ensure fuel system is free of leaks.	
6	Ensure fuel pump is securely mounted in a cool location <b>NOTE:</b> Vehicle fuel tank area is generally a location with minimal sound transfer path to vehicle interior.	

EXHAUST SYSTEMS		Complete (Yes/No/Comments)
1	Is the muffler and clamps securely tightened?	
2	Has muffler and exhaust tube been routed a safe distance (min. 2 in.) from flammable material?	
3	Ensure drain-holes are drilled in low bend areas of exhaust tube.	
4	Ensure exhaust is venting a safe distance from any vehicle interior openings.	
5	Ensure exhaust is venting in the direction that will not cause back pressure while driving.	

<b>COMBUSTION AIR INTAKE</b>		<b>Complete (Yes/No/Comments)</b>
1	Is the combustion air intake drawing fresh air from a non-turbulent location? (i.e. not in direction of travel)	
2	Ensure air intake system is securely fastened.	

<b>HEATER FUNCTION</b>		<b>Complete (Yes/No/Comments)</b>
1	Ensure heater starts and runs for a minimum of 20 minutes.	
2	Ensure vehicle blower turns "ON".	
3	Ensure warm air is blown out of interior vents after blower is activated.	
4	Ensure timer (control device) is functioning.	
5	Check and Modify CO2 setting as needed based on altitude (will the heater "live" or spend a lot of time above XXXXXX Feet) <b>(See service manual for instructions to make adjustment)</b>	

<b>COSMETICS</b>		<b>Complete (Yes/No/Comments)</b>
1	Has the vehicle interior, engine compartment, trunk & glove compartment been inspected for cleanliness after installation.	
2	Has user manual placed in glove box?	
3	Is the vehicle clock time correct after disconnecting the battery?	

If you have any questions, contact our technical support team at (800) 860-7866 or via email at: [info-us@webasto.com](mailto:info-us@webasto.com).

After heater installation the coolant circuit as well as the fuel supply system must be carefully bled observing the relevant manufacturer's instructions.

During the heater test run inspect all coolant and fuel connections for leakage and security. Should the heater during operation enter an error lockout condition, perform troubleshooting (see Section 5).





## **9. Repair**

### **9.1 General**

This section describes the repairs that may be performed on the heaters Thermo Top Z and Thermo Top C when removed. Any further disassembly will void the warranty. After repairs a functional test must be performed.

#### **9.1.1 Work on Components after Disassembly**

##### **CAUTION**

All gaskets located between disassembled components must always be discarded and replaced.

##### **9.1.1.1 Cleaning**

- All components disassembled must be cleaned.
- Sealing compound on components must be carefully and completely removed using suitable means.

##### **9.1.1.2 Visual Inspection**

- Inspect all components for damages (cracks, deformation, wear, etc.) and replace as required.
- Inspect connectors and wiring for corrosion, loose contacts, wrong crimping, etc. and repair as required.
- Inspect connector terminal for corrosion and contacts for security.

9.2 Disassembly and Assembly

9.2.1 Circulation Pump, Replacement (Thermo Top C)

9.2.1.1 Removal

1. Remove cover (4, Fig. 901) and disconnect electrical connector of circulation pump.
2. Loosen spring band steel clamp (5, Fig. 901).
3. Remove screw (7) and clamp (2).
4. Withdraw circulation pump (6) and remove spring band steel clamp (5).
5. Withdraw collar (1) as required.
6. Perform procedures on components after disassembly (refer to 9.1.1).

9.2.1.2 Installation

1. Slide spring band steel clamp (5, Fig. 901) onto hose end.
2. Position collar (1) on circulation pump (6) as required.
3. Locate circulation pump (6) for installation and secure with clamp (2) and screw (7) on combustion air fan (3).
4. Position spring band steel clamp (5).
5. Torque screw (7) with  $3.5 \pm 0.3$  Nm.
6. Connect circulation pump electrical connection and fit cover (4).

**NOTE**  
Circulation pump may also be mounted externally in vehicle.

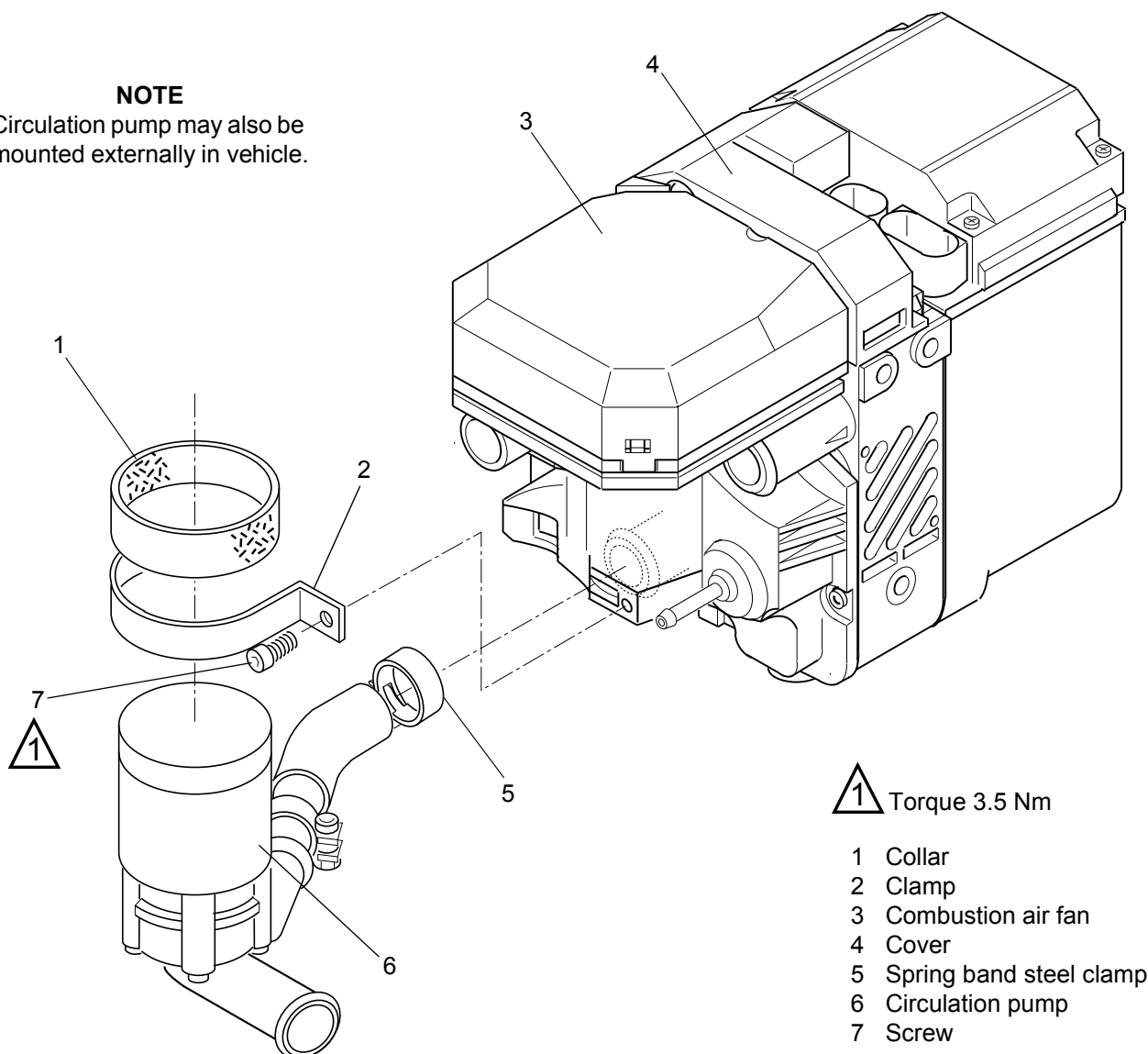


Fig. 901 Replacement of Circulation Pump (Thermo Top C)

**9.2.2 Combustion Air Fan, Replacement****CAUTION**

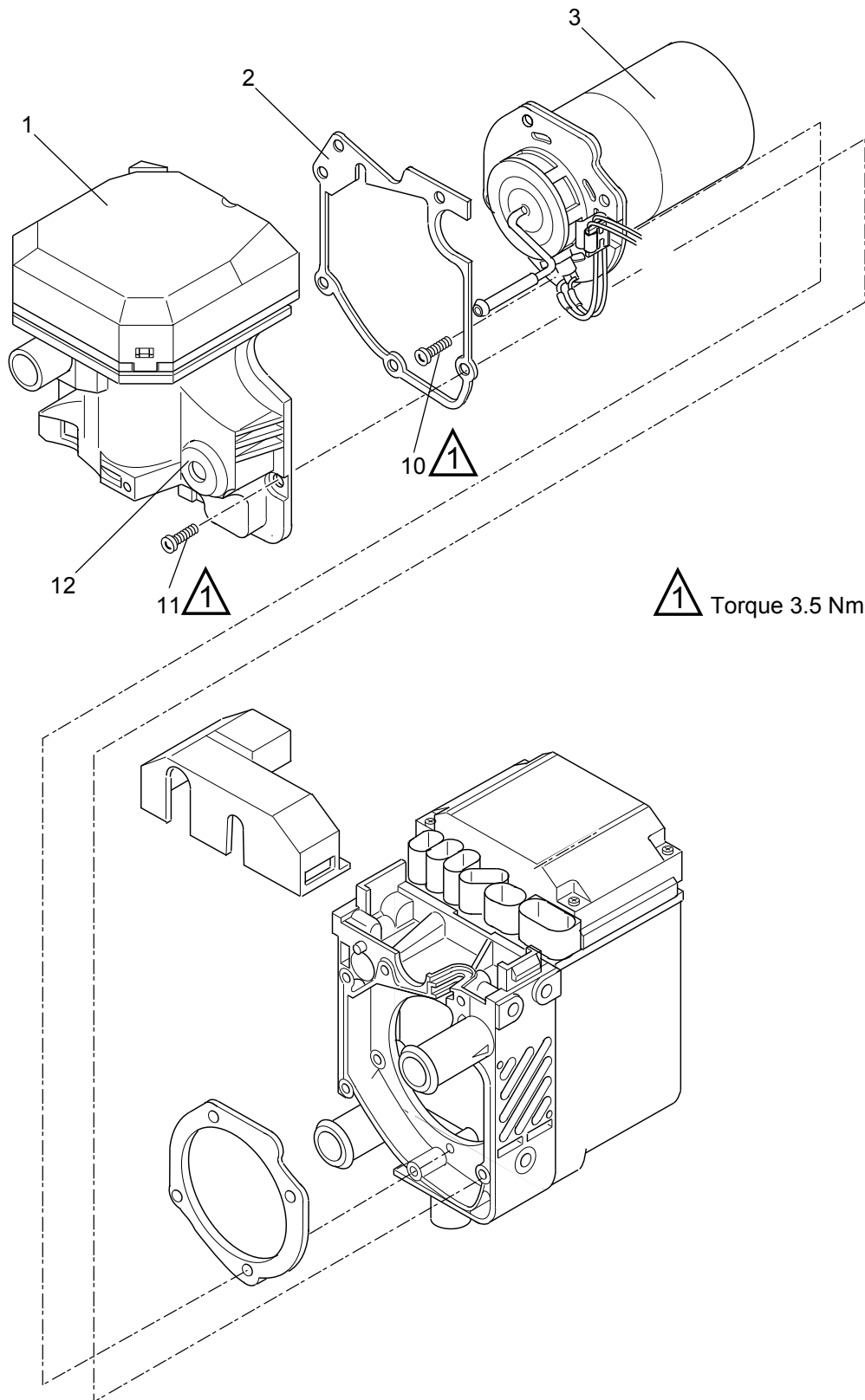
In case of Thermo Top C the circulation pump must be removed first (see 9.2.1.1).

**9.2.2.1 Removal**

1. Carefully lever off cover (6, Fig. 902).
2. Disconnect electrical connector of combustion air fan.
3. Remove screws (11).
4. Withdraw combustion air fan (1) from burner housing (5) and fuel pipe (9).
5. Remove gasket (2) and discard.
6. Perform procedures on components after disassembly (refer to 9.1.1).

**9.2.2.2 Installation**

1. Replace gasket (12, Fig. 902) of combustion air fan (1) as required.
2. Position new gasket (2) on burner housing (3).
3. Slide combustion air fan (1) onto fuel pipe (9) to bring fan into installation position.
4. Secure combustion air fan (1) with screws (11). Torque tighten screws to  $3.5 \pm 0.3$  Nm.
5. Plug electrical connections of combustion air fan.
6. Install circulation pump as required (see 9.2.1.2).
7. Plug on cover (6) and engage.



- |   |                    |    |                             |
|---|--------------------|----|-----------------------------|
| 1 | Combustion air fan | 7  | Control unit/heat exchanger |
| 2 | Gasket             | 8  | Glow plug/flame sensor      |
| 3 | Burner insert      | 9  | Fuel pipe                   |
| 4 | Gasket             | 10 | Screw (4)                   |
| 5 | Burner housing     | 11 | Screw (4)                   |
| 6 | Cover              | 12 | Gasket                      |

Fig. 902 Heater Disassembly

**9.2.3 Burner Insert with Glow Plug/Flame Sensor, Replacement****CAUTION**

In case of Thermo Top C the circulation pump must be removed first (see 9.2.1.1).

**9.2.3.1 Removal**

1. Remove combustion air fan (see 9.2.2.1).
2. Push grommet of cable of glow plug/flame sensor (8, Fig. 902) out of burner housing (5).
3. Remove screws (10).
4. Withdraw burner insert (3) with glow plug/flame sensor (8) from burner housing (5).
5. Remove gasket (4) and discard.
6. Perform procedures on components after disassembly (refer to 9.1.1).

**9.2.3.2 Installation**

1. Position new gasket (4) on burner housing (5).
2. Position burner insert (3) for assembly and secure with screws (10). Torque tighten screws to  $3.5 \pm 0.3$  Nm.
3. Press grommet of glow plug/flame sensor cable into burner housing (5).
4. Install combustion air fan (see 9.2.2.2).
5. Install circulation pump as required (see 9.2.1.2).

**9.2.4 Control Unit/Heat Exchanger with Burner Housing, Replacement****CAUTION**

In case of Thermo Top C the circulation pump must be removed first (see 9.2.1.1).

**9.2.4.1 Removal**

1. Remove combustion air fan (see 9.2.2.1).
2. Push grommet of cable of glow plug/flame sensor (8, Fig. 902) out of burner housing (5).
3. Remove screws (10).
4. Withdraw burner insert (3) with glow plug/flame sensor (8) from burner housing (5) and remove.
5. Remove gasket (4) and discard.
6. Perform procedures on components after disassembly (refer to 9.1.1).

**9.2.4.2 Installation**

1. Position new gasket (4) on burner housing (5).
2. Position burner insert (3) for assembly and secure with screws (10). Torque tighten screws to  $3.5 \pm 0.3$  Nm.
3. Press grommet of glow plug/flame sensor cable into burner housing (5).
4. Install combustion air fan (see 9.2.2.2).
5. Install circulation pump as required (see 9.2.1.2).

## **10. Packaging, Storage and Shipping**

### **10.1 General**

The heater or its components shipped to Webasto Thermo & Comfort N.A., Inc. for testing or repair must be cleaned and packaged so that they are protected against damage during handling, shipping and storage.

#### **CAUTION**

When shipping a complete heater assembly it must be drained completely.

No fuel is allowed to escape from a packaging or during shipping.

Dummy plugs must be fitted to the fuel and coolant connector pipes.



Webasto Thermo & Comfort N.A., Inc.  
15083 North Road  
Fenton, MI 48430

Technical Assistance Hotline  
USA:(800) 860-7866  
Canada:(800) 667-8900

[www.webasto.us](http://www.webasto.us)  
[www.techwebasto.com](http://www.techwebasto.com)

63387C Rev: 11/2018